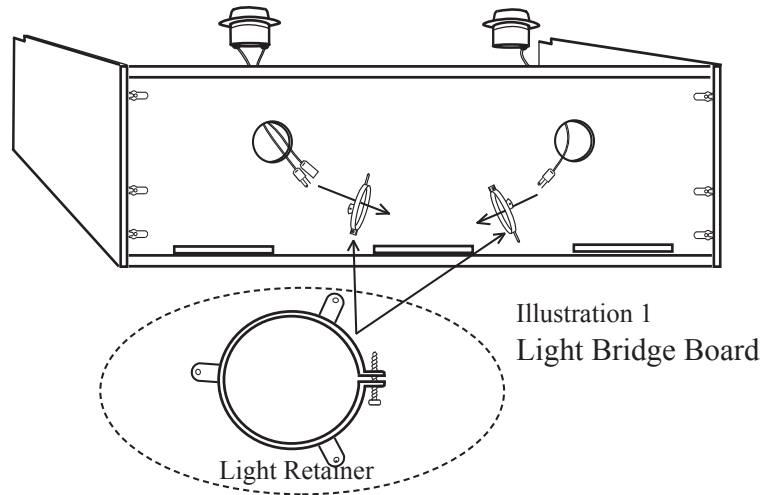


WILDING WALL BED LIGHT KIT INSTALLATION INSTRUCTIONS

Step 1: Put the lights through the holes in the Bridge Board. **NOTE:** the light with the two electrical leads (wires) needs to be on the left as in illustration 1.

Step 2: Slide the black plastic light retainer over the lights so that the retainer is pushed down on the top of the bridge board. Make sure the lights are pushed up tight to the finished side of the bridge board. Now tighten the black screw on the side of the retainer so it holds the light. **DO NOT OVER TIGHTEN.** Fasten the retainers to the Bridge Board using six 5/8" pan head screws. Plug the lights together so the male lead on the single lead light is plugged into the female lead of the double lead light.



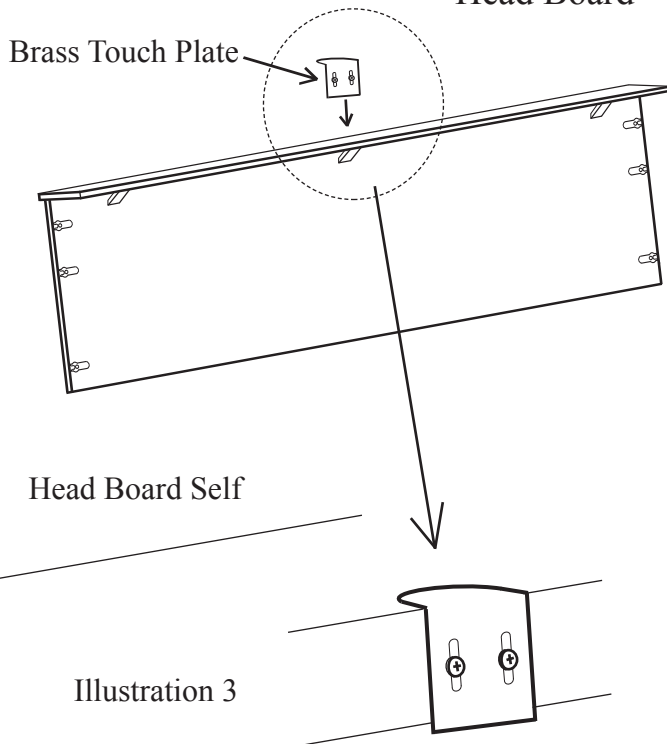
Step 3: Position the brass Touch Plate in the center of the head board. Use 5/8" pan head screw to secure it to the back of the head board. (Illustration 2)

The rounded front side of the touch plate should lay flush on the top edge of the headboard. (Illustration 3)

NOTE: Option 1 and 2 below will depending on the depth of the Wallbed purchased

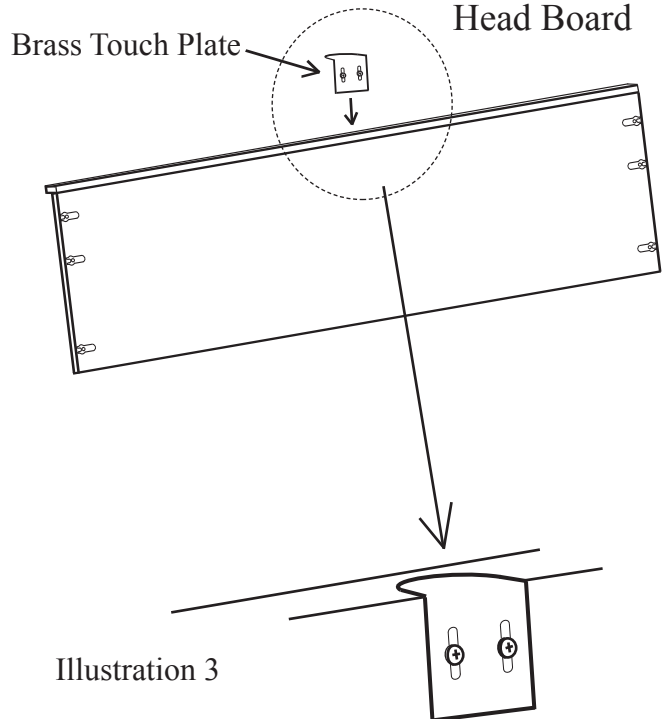
Head board Option 1
(20" deep model)

Illustration 2
Head Board



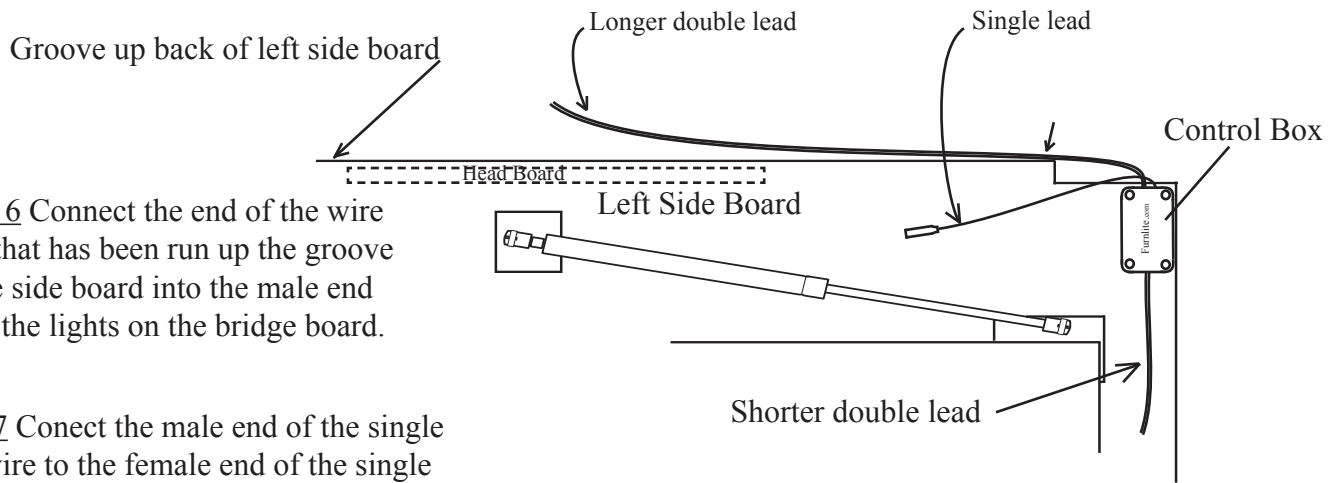
Head board Option 2
(16" deep model)

Illustration 2
Head Board



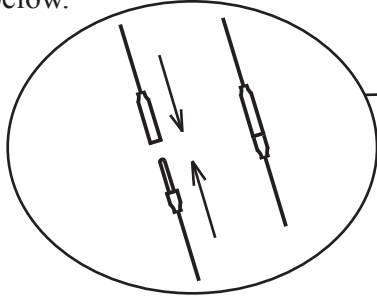
Step: 4 Using two 1 3/4" screws attach the control box to the inside bottom of the Left Side Board. Position the box as illustrated below with the side that has the double, and single lead, flush with the back notch in the Side Board. It is VERY IMPORTANT that the control box is mounted flush with the bottom and back of the Side Board. THE BED WILL NOT CLEAR THE BOX WHEN THE BED IS OPENED IF IT IS NOT MOUNTED IN THIS POSITION.

Step: 5 Run the longer double lead wire from the control box up to the top of the left Side Board by inserting it into the groove in the back of the Side Board.

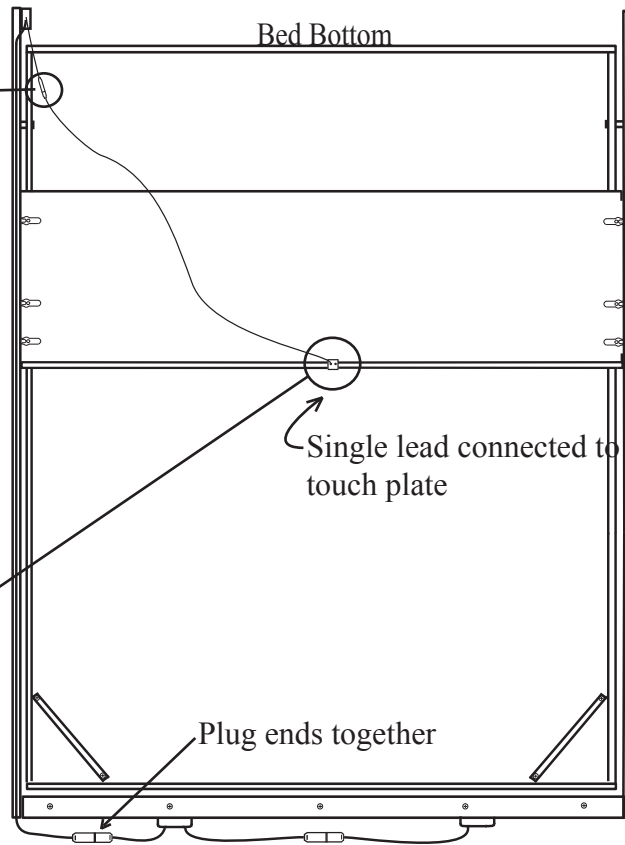
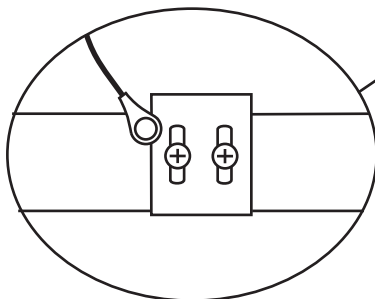


Step: 6 Connect the end of the wire lead that has been run up the groove in the side board into the male end from the lights on the bridge board.

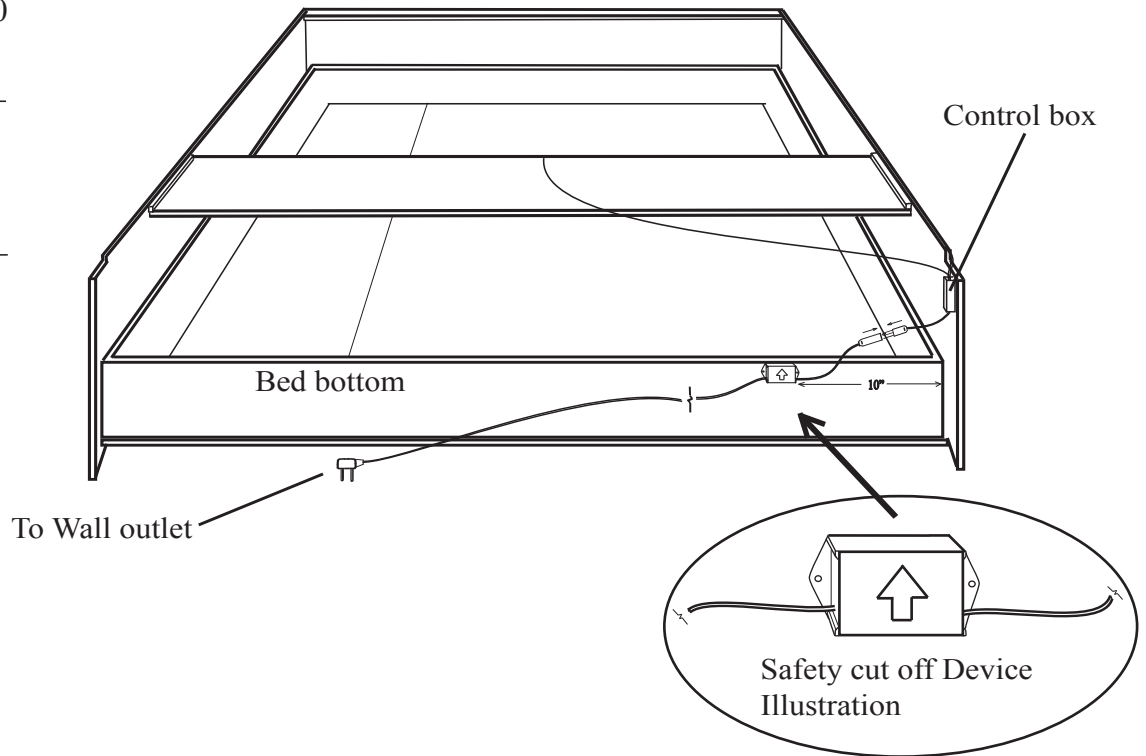
Step: 7 Connect the male end of the single lead wire to the female end of the single lead wire from the Control Box. As illustrated below.



Step: 8 Remove one of the screws holding the Brass touch plate on the head board. Place the removed screw through the hole in the end of the single lead wire from the control box then replace the screw into the hole in the brass touch plate. As illustrated below.



Step:9 Fasten the safety cut off device to the Bed bottom. Place it about 10 inches from the side and as close to the top of the bed box as possible as illustrated. Use two 5/8" pan head screws to secure it. Make sure the arrow on the safety cut off device points up.



Step:10 Plug the shorter double lead wire from the control box into the female end of the Safety cut off device. Then plug the Safety cut of device into your wall outlet.

Return to installation instructions to finish bed assembly

WARNING! IT IS VERY IMPORTANT THAT YOU TEST THE SAFETY CUT OFF DEVICE. ONCE THE BED IS INSTALLED OPEN THE BED AND TURN THE LIGHTS ON BY TOUCHING THE BRASS TOUCH PLATE ON TOP OF THE HEADBOARD. ONCE THE LIGHTS ARE ON, CLOSE THE BED AND VERIFY THAT THE LIGHTS GO OFF AS THE BED CLOSES. IF THE LIGHTS DO NOT OPERATE PROPERLY, UNPLUG THE LIGHTS AND CALL 1-866-877-7803 FOR TECHNICAL HELP.

LIGHT KIT COMPONENTS

