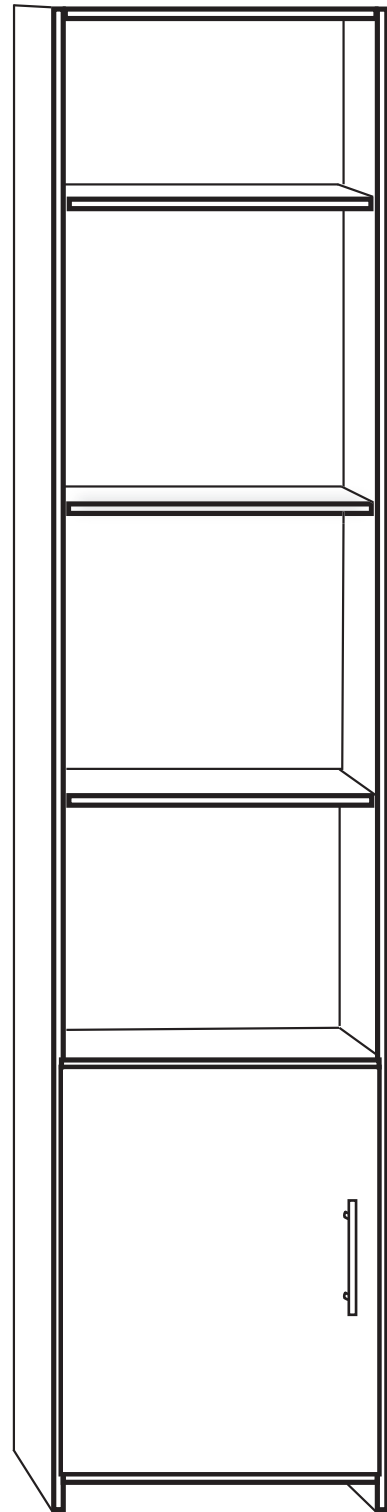




Wilding
Wallbeds®

DOOR CABINET
ASSEMBLY INSTRUCTIONS



Customer Service
866-725-6401

Rev. 6/16

HARDWARE



14

Connecting Screw



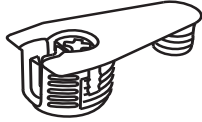
3

1 1/4" Wood Screw



2

Felt Pad



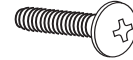
14

Cam Fittings



1

Door Handle



2

1" Machine Screw



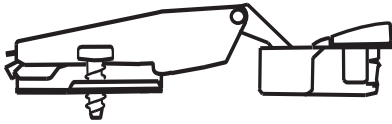
25

3/4" Screw



16

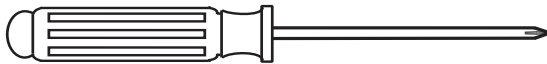
Shelf Support Pin



Hinge

2

Tools Needed



Phillips screwdriver

Optional Tools Needed



Drill



3/16" Drill Bit

Optional tools will be used if you are attaching your side cabinet to your wall bed

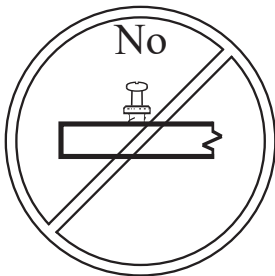
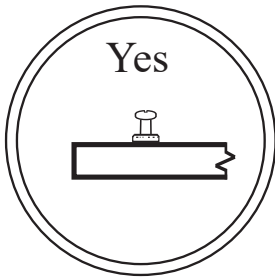
Hardware needed for step 1



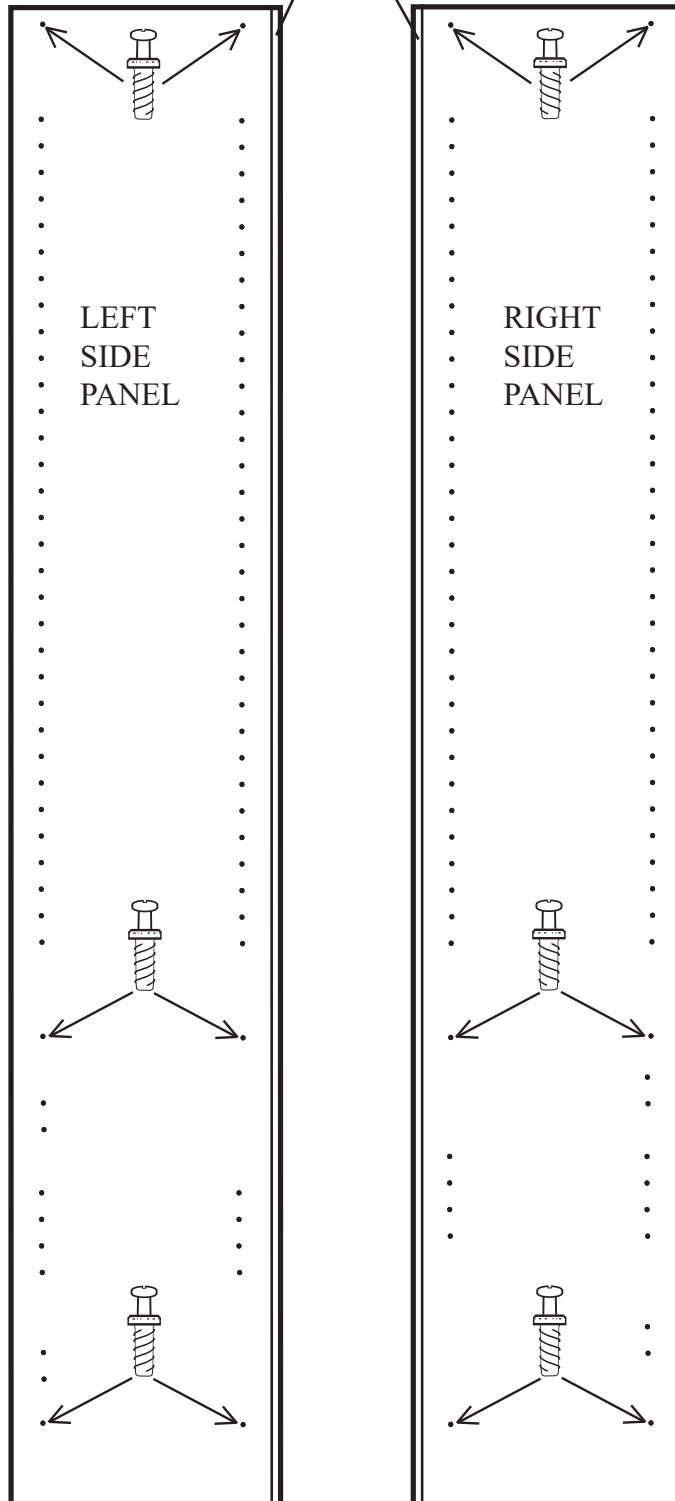
X 12

Connecting Screw

Step 1: Screw 12 connecting screws into holes provided as shown in the RIGHT and LEFT SIDE PANELS. Insure that the screws are threaded all the way down and snug.



Dado Grooves

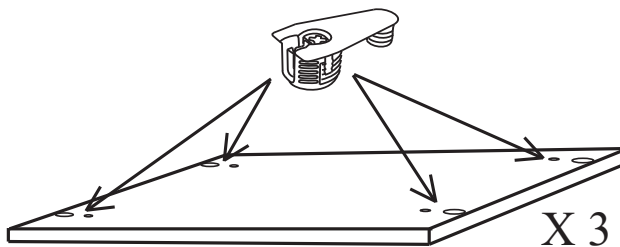


Hardware needed for step



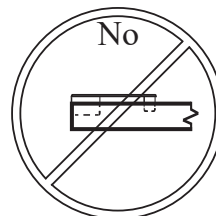
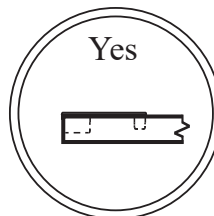
X 12

Cam Fittings

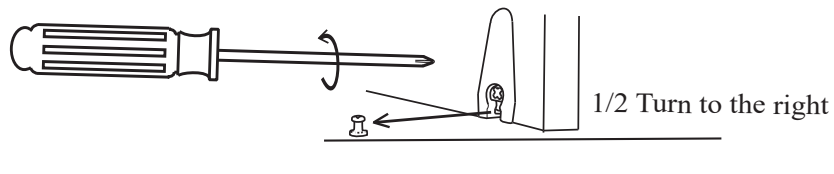


Permanent Shelf

Step 4: Insert 4 Cam Fittings in each of the 3 permanent shelves. Make sure the Cam Fittings are seated down all the way into the shelves.



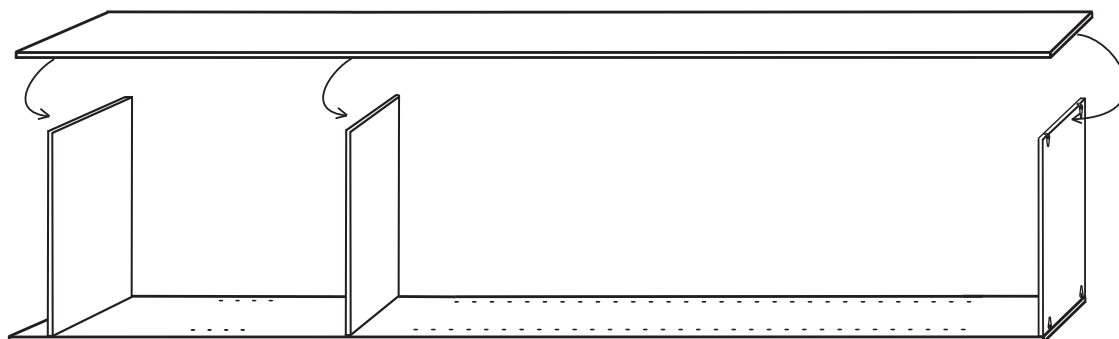
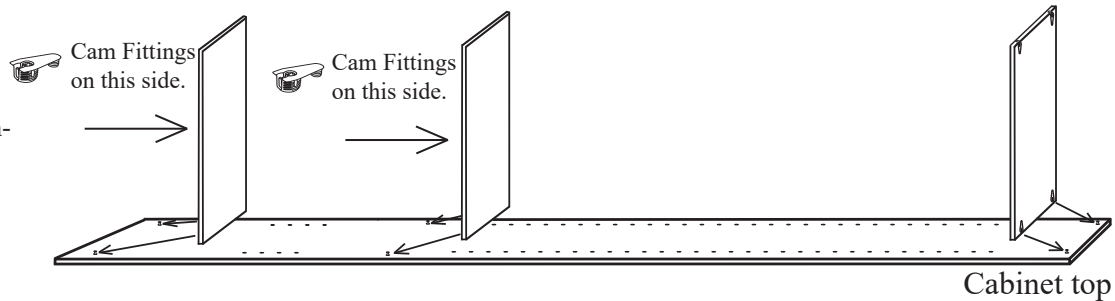
Working with Cam Fittings



Slip Cam fitting onto Connecting bolt and turn Phillips fitting 1/2 turn to the right

Step 6: attach permanent shelves as illustrated

Helpful hint: closely compare drawings to verify cam fitting orientation.

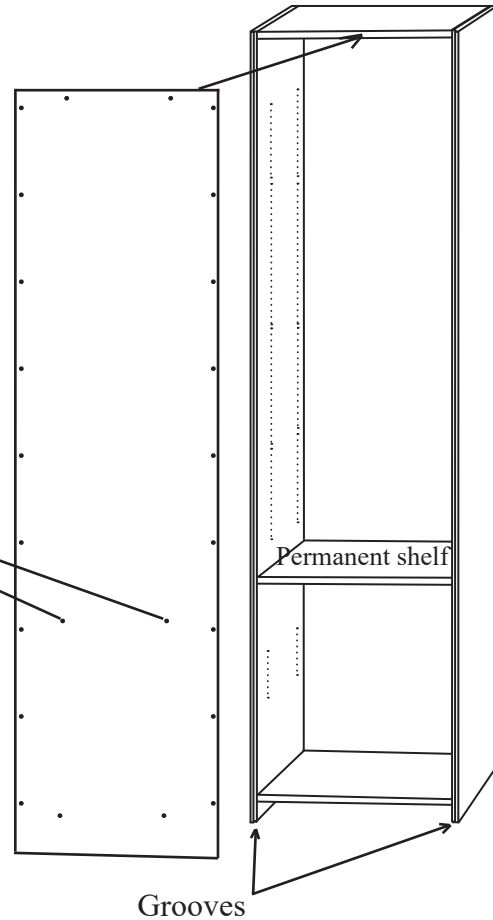


Hardware needed for step 8

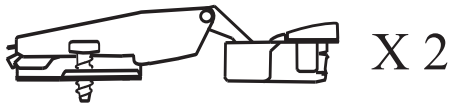


Step 7: Insert back panel into the grooves in cabinet side and use 3/4" screws to attach it to the cabinet back.

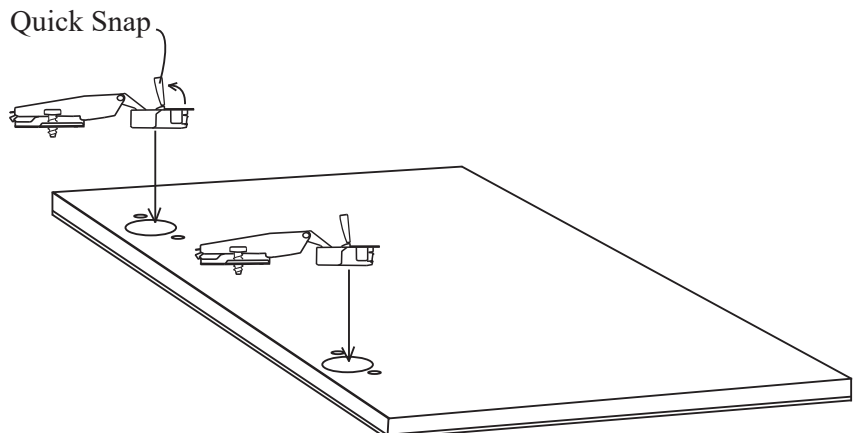
Helpful hint: there *is* a top and bottom for the back panel. Line these holes up with permanent self for proper orientation.



Hardware needed for step 8



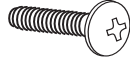
Step 8: Insert hinges into the hinge sockets on the back of the door(s) by first lifting the Quick Snap on the hinges and then fitting the hinge into the socket making sure it is fully seated and then pushing the Quick Snap down firmly.



Hardware needed for next step



2

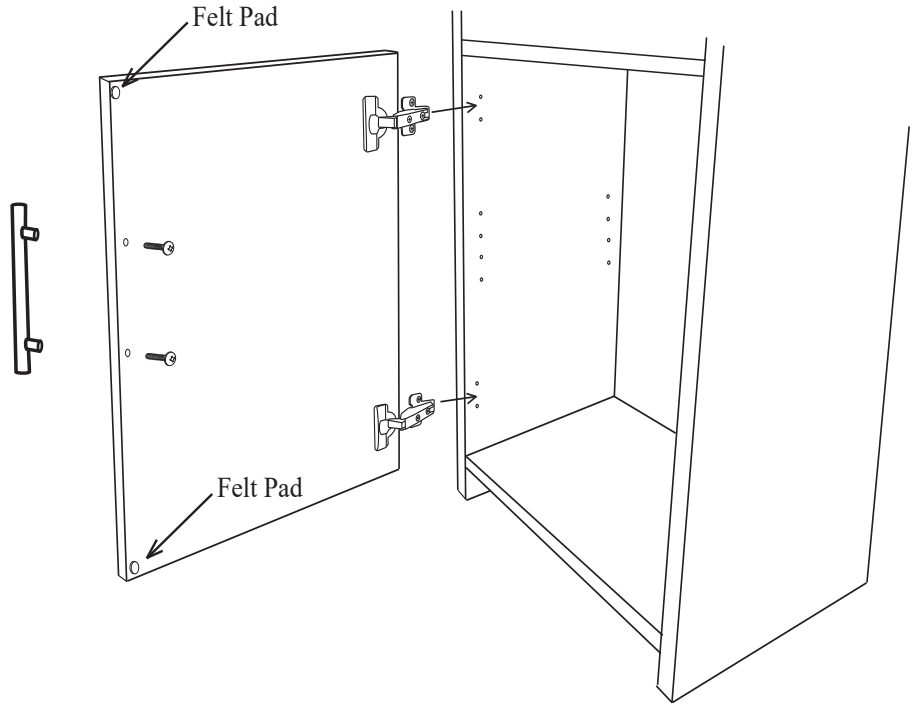


2

Felt Pad

1" Machine Screw

Step 9: Attach the cabinet door to the cabinet as shown. Insure that the hinge plates are tightened down snug against the cabinet side. Place felt pads in the corner of the door.



Step 10: Attach the door handle to the door using two 1" machine screws

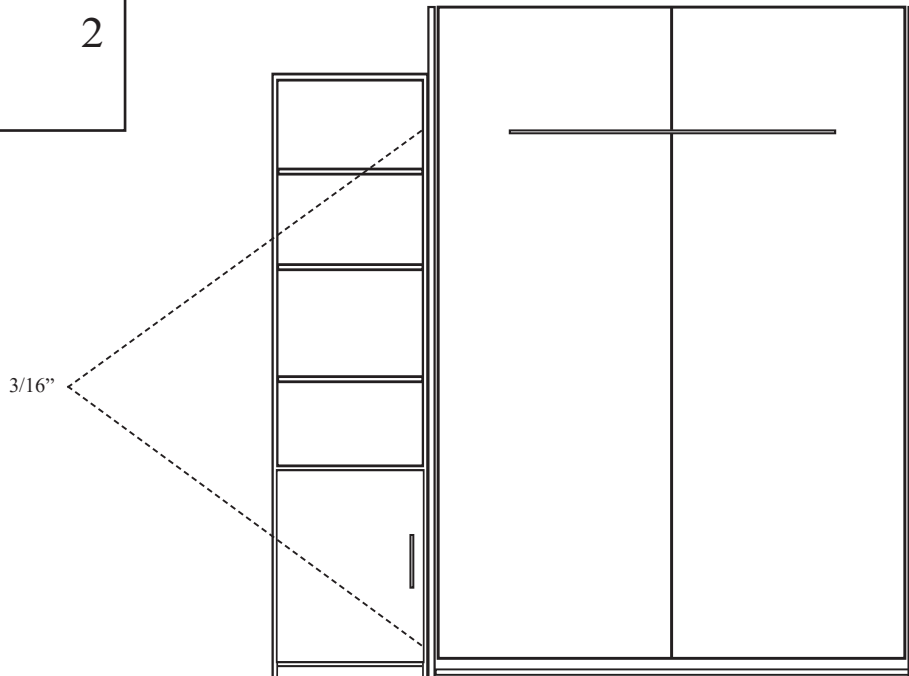
Hardware needed for next step



2

1 1/4" Wood Screw

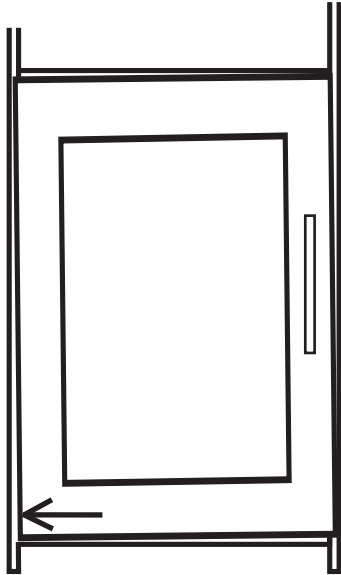
Step 9: If you are placing your side cabinet next to a wall bed, it is recommended that you attach the cabinet to the side of the bed. First drill two 3/16" holes in the side of the side cabinet near the front edge of the cabinet. Then use two 1 1/4" wood screws to attach it to the side of the bed.



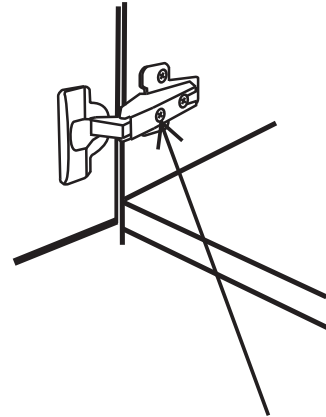
DOOR ALIGNMENT

Problem

Possible solution



Door is crooked in relation to the cabinet sides.



Open the cabinet door and turn the FRONT adjustment screw COUNTER CLOCKWISE a couple of turns then shut the door to check result of adjustment.

Note: Both hinges adjust as described above. Turning adjustment screw CLOCKWISE pushes the door away from the hinge side, while turning the screw COUNTER CLOCKWISE draws the door closer to the hinge side.