

SIDE CABINET LIGHT KIT INSTALLATION INSTRUCTIONS

Illustration 1

Step: 1 Pull the light through hole provided in the cabinet. Place the black retainer over the light fixture and tighten the screw (don't over tighten) on the retainer to secure light. Attach retainer to the cabinet using three 5/8" silver pan head screws. (see illustration 1)

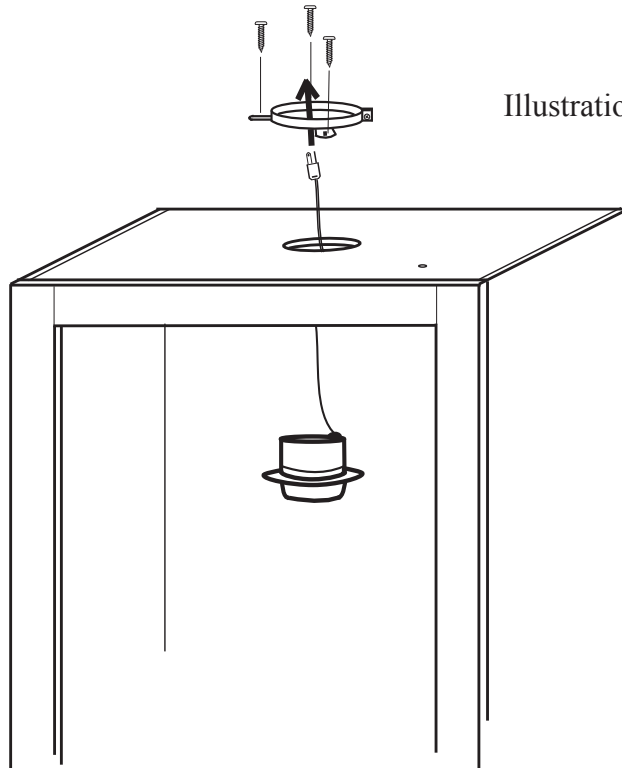


Illustration 2

Step :2 Place the push button on the switch through the small hole provided in cabinet. Attach switch to the cabinet using two 1 1/2" gold screws. Plug light fixture into the switch wire. (see illustration 2)

