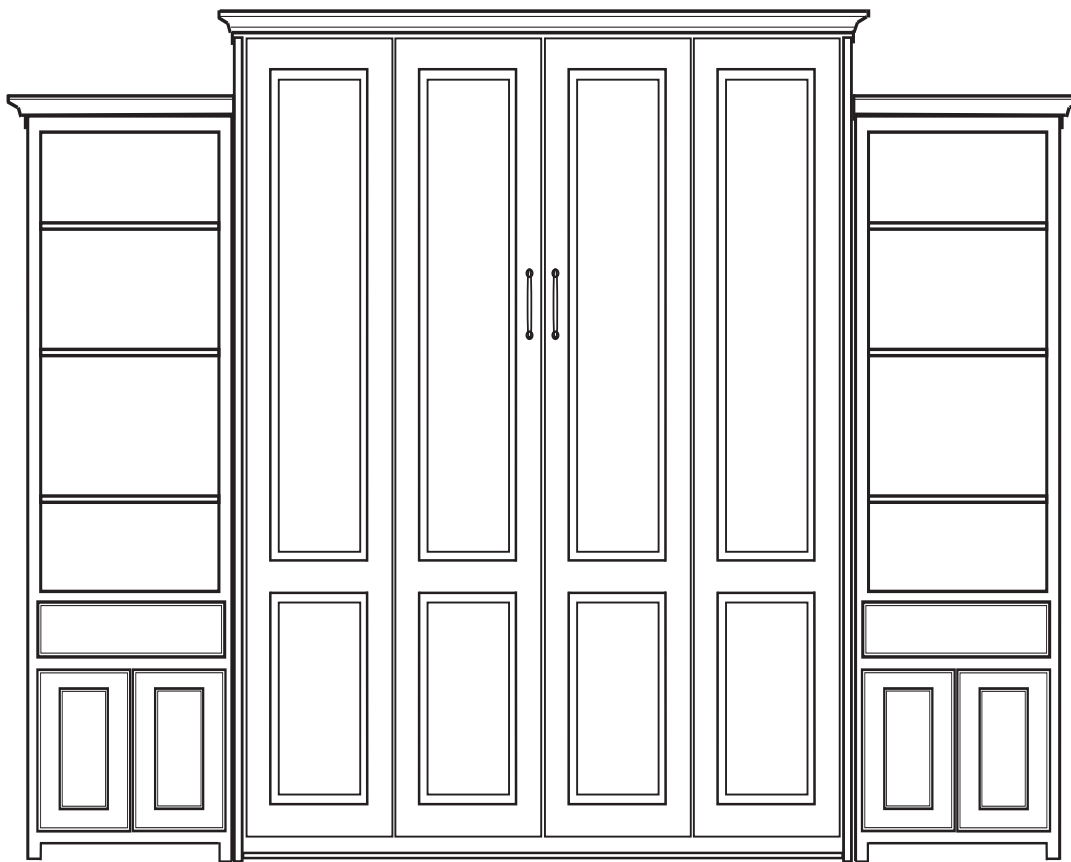


Wilding Wallbeds®



For Wallbed models:

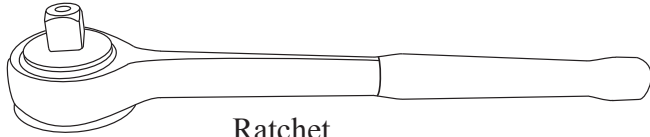
SIERRA

INSTRUCTION BOOKLET #30

WARNING! ALL MURPHY/WALLBED SYSTEMS CONTAIN STORED ENERGY. FAILURE TO USE AND FOLLOW THESE INSTRUCTIONS DURING THE INSTALLATION PROCESS COULD RESULT IN SEVERE PERSONAL INJURY TO USER OR DAMAGE TO PRODUCT. PLEASE CONTACT CUSTOMER SERVICE AT 866-725-6401 FOR ANY QUESTIONS.

Revision 7/14 BK30

Tools Needed



Ratchet



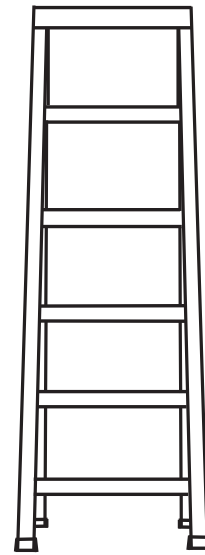
1/2" Socket



3/8" Socket



7/16" Socket



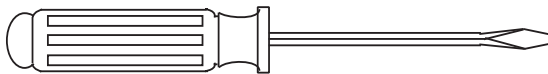
6 foot ladder



Phillips screwdriver



Crescent wrench



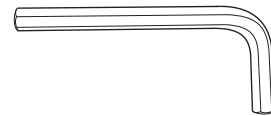
Large regular screwdriver



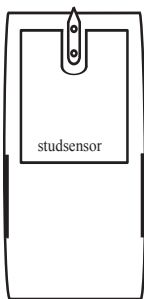
1/2" open end wrench



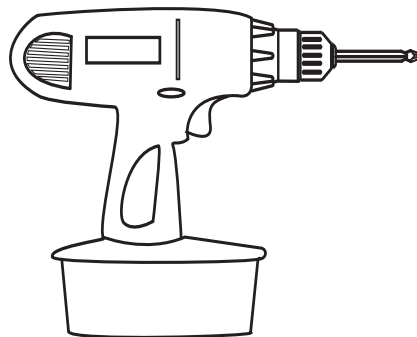
Small regular screwdriver



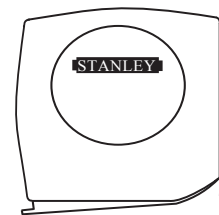
1/4" Allen wrench



Stud finder



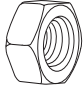

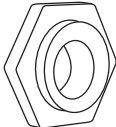
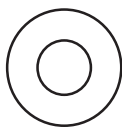
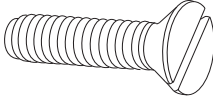
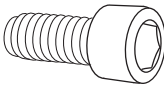
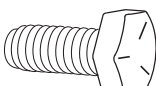

Cordless screw driver
with Phillips bit



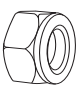
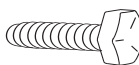

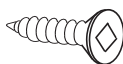

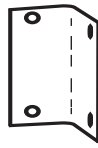

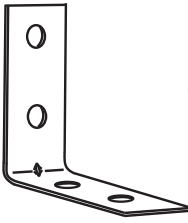
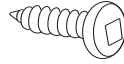
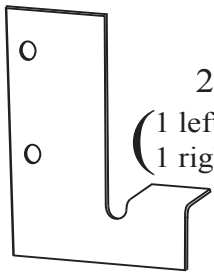

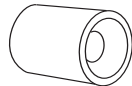
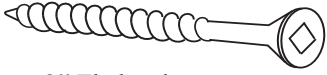

Tape measure

Hardware Page

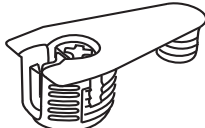

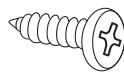



Bag 7

Item	Qty
 5/16" Plain Hexagon Nut	10
 5/16" Nylock Hexagon Nut	6
 3/4" Cam Washer	2
 7/8" Washer	2
 5/16" x 1 1/4" Flat Head Bolt	10
 5/16" Allen Head Bolt	2
 5/16" x 3/4" Hex Head Bolt	4
 4 mm x 1/4" Flat Head Screw	4



Bag 8

Item	Qty	Item	Qty
 3/16" Nylock Hexagon Nut	16	 1/4" x 3/4" Hex Head Bolt	2
 3/16" Washer	2	 3/4" Flat head Screw	6
 3/16" x 1 1/4" Black Flathead Screw	2	 4 hole corner bracket	4
 1/4" Star Washer	2	 "L" Bracket	3
 5/8" Pan head Screw	135	 Spacer Plate	2 (1 left 1 right)
 3/16" x 1/2" Black Truss head screw	14	 Leg Stop	2
 2" Flathead Wood Screw	6	 Small bottle of Loc-tite	1

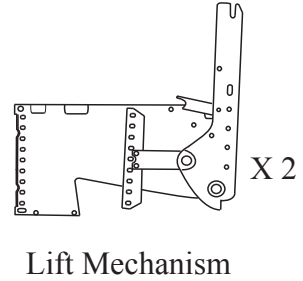
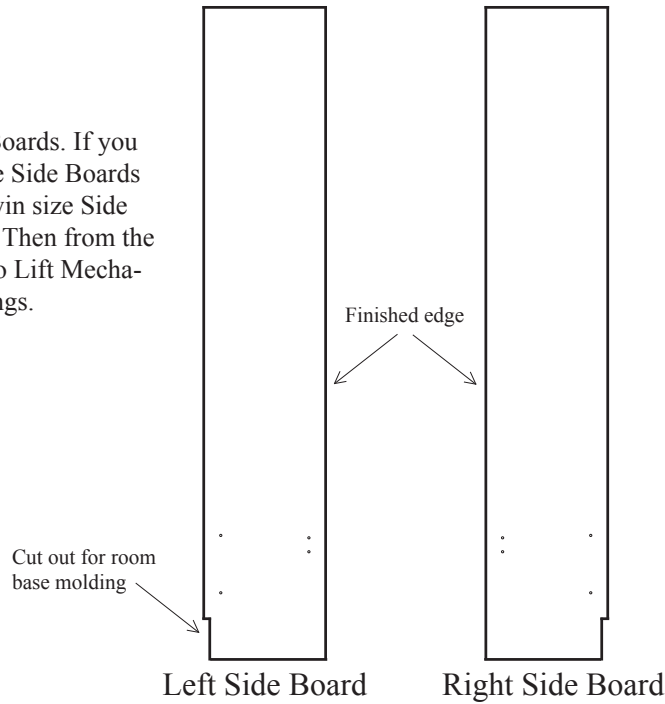
Other Hardware

Item	Qty
 Cam Fitting	4
 Connecting Bolts	28
 5/8" Pan head Screw	80
 1 1/4" Wood Screw	6
 Square Tip Bit	1
 3 1/2" Wood Screw (for optional under mount)	3

Bed Handles

	1
 1"	4

Step 1: Locate the two Side Boards. If you purchased a Queen size bed the Side Boards measure 85" long. Full and Twin size Side boards will measure 80" long. Then from the square white box locate the two Lift Mechanisms, hardware bags and springs.



Step 2: Install Springs in the Lift Mechanisms

- The number of springs in the Lift Mechanism required varies with the different weights of mattresses. If you purchased your mattress with your bed from Wilding Wallbeds refer to the chart to the right. This will also be a good reference point for mattresses not purchased with your Wall bed.

Bed Size	Number of Springs
Queen	8
Full/Double	6
Twin/Single	4

NOTE: After you have completed installing and checking operation of your Wallbed, you may find it necessary to add or remove springs to achieve the correct lift effort of between 5 and 10 pounds.

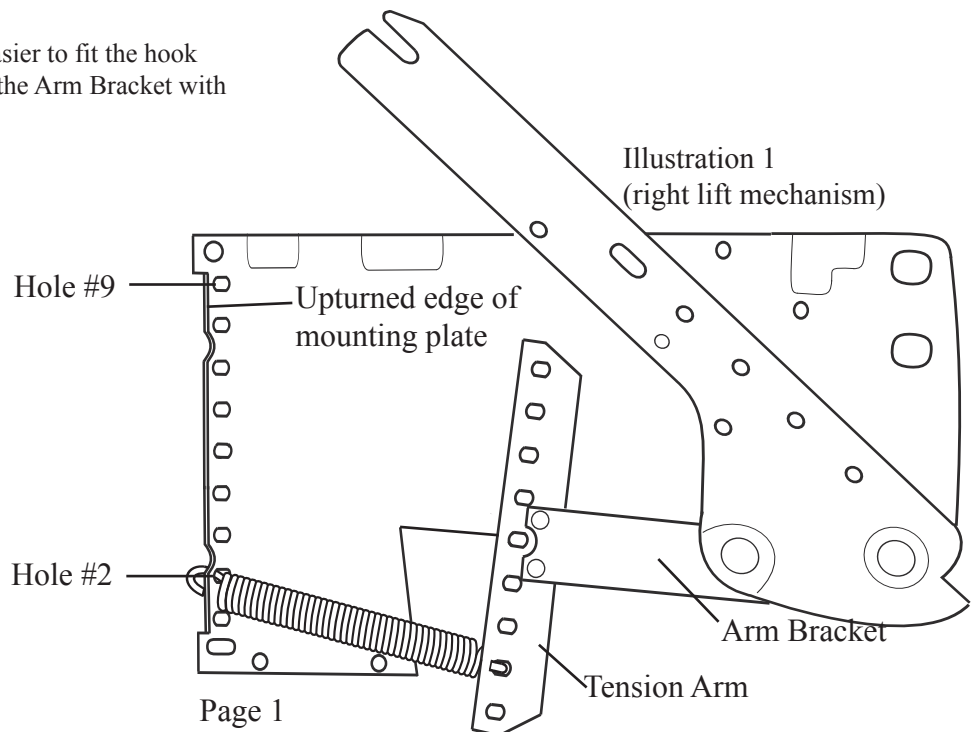
- Install the first spring in hole #2 for Queen and Full size beds and hole #3 for twin size on both the Mounting Plate and the Tension Arm. Hook one end of the spring under the upturned edge of the Mounting Plate. Lay the spring down and slide it under the matching hole in the Tension Arm. See illustration 1.

HELPFUL HINT: You may find it easier to fit the hook under the Tension Arm if you pry up the Arm Bracket with a wooden wedge or similar device.

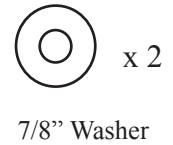
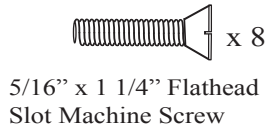
- Continue by working up from, hole 2 (Queen and Full size beds) or hole 3, (for twin size), until you have installed the required number of springs.

IMPORTANT! Be sure that holes of the Mounting Plate correspond to the holes in the Tension Arm and use the same number of springs and the same configuration on both Lift Mechanisms

- Repeat Step 2 for Left Lift Mechanism.



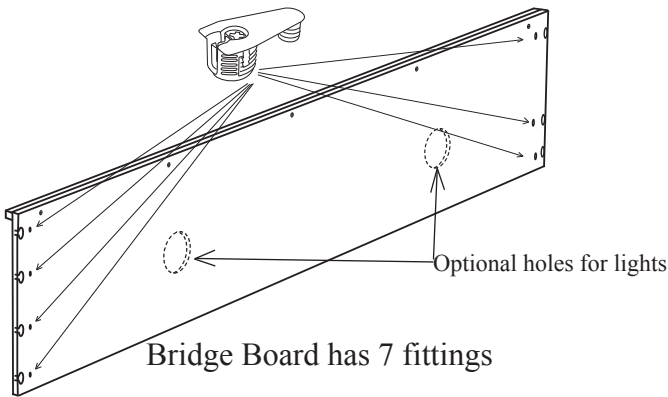
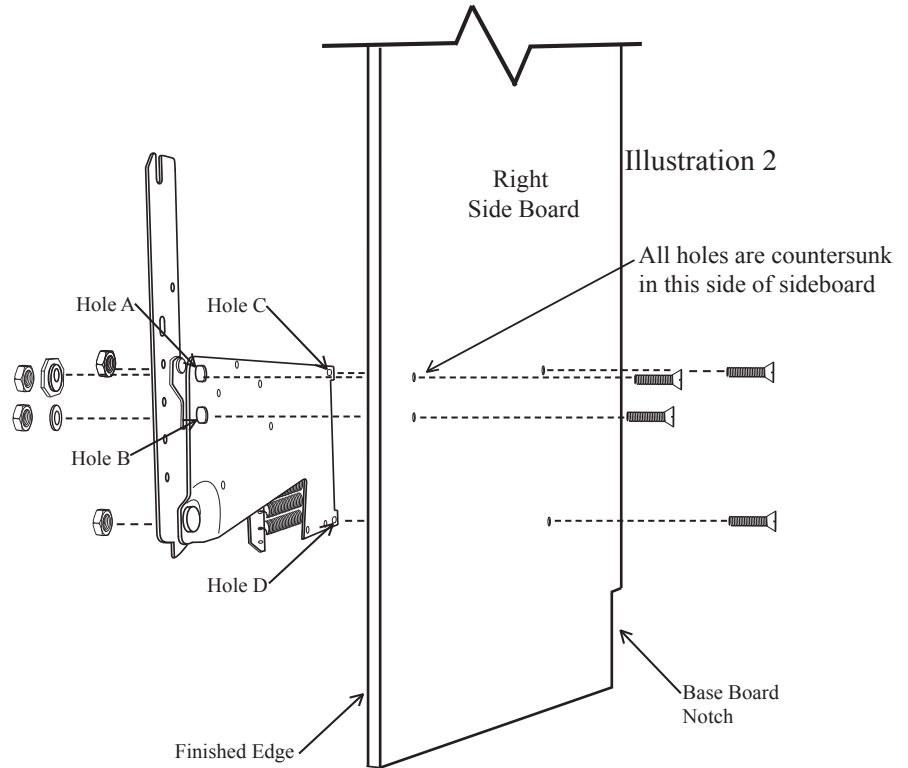
Hardware needed for next 2 steps from Bag #7



Step 3: Install the Lift Mechanism by inserting a 5/16" x 1 1/4" Flathead Machine Screw through holes "C" and "D" from the outside (countersunk holes) of the Right Side Board. Position the corresponding Right Lift Mechanism holes. Loosely thread on a 5/16" Plain Hex Nut on each. Insert the same type screw through holes "A" and "B". At hole "A" use one of the Hexagon Cam Washers in the slot of the mounting plate so that the LARGER PART OF THE CAM IS DOWN. At hole "B" use a 5/16" x 7/8" washer. Thread a nut on each. Tighten the four nuts evenly, making sure the hexagon cam washer does not rotate while tightening. See illustration 2.

IMPORTANT! Over tightening the nuts will pull the head of the screw too deeply into the Side Board. Tighten only until the head of the screw is flush with the Side Board.

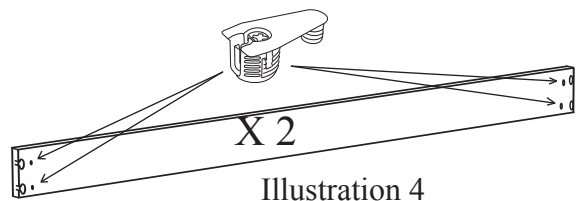
Repeat step 3 with the Left Side Board and Lifting Mechanism.



Step 4: Locate the Bridge Board and Insert seven Cam Fittings into the sockets provided. Press the Cam Fittings in so they are tight against the bed part. You may need a rubber mallet to get them properly set.

Helpful hint: The Bridge Board and the Head Board are the same length and could be easily confused. Note the Bridge Board has 7 cam fitting sockets where as the Head Board has either Six or nine.

Step 5: Locate the TWO (2) Stretcher Boards and insert four Cam Fittings into the back of each Stretcher. Press the Cam Fittings in so they are tight against the part. See Illustration 4.

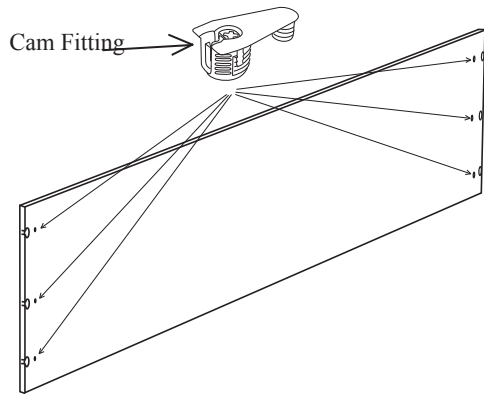


Head Boards have 2 options. Option 1 is for a standard depth Wallbed and Option 2 is for an Extra depth Wallbed. Determine which Wallbed kit you have and then proceed with the correct option below.

OPTION 1

STANDARD DEPTH HEAD BOARD

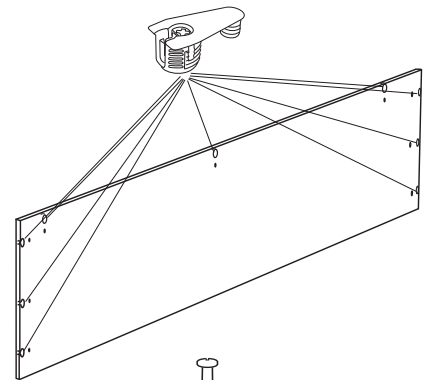
Insert 6 Cam Fittings in the back of the Head Board



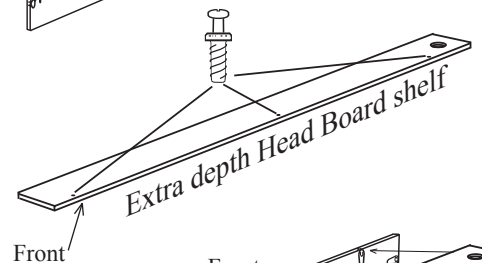
OPTION 2

EXTRA DEPTH HEAD BOARD

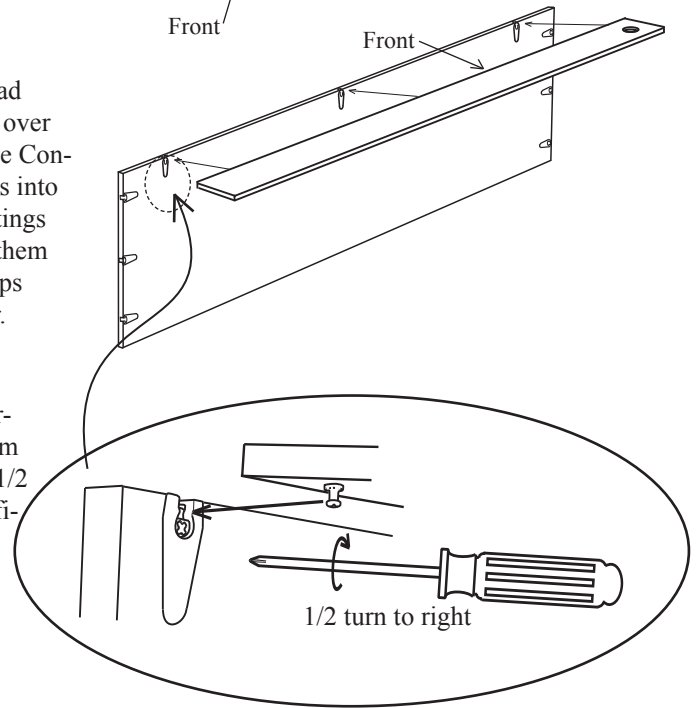
Insert 9 Cam Fittings in the back of the extra deep Head Board



Insert 3 Connecting Bolts in the bottom of the Head Board Shelf.

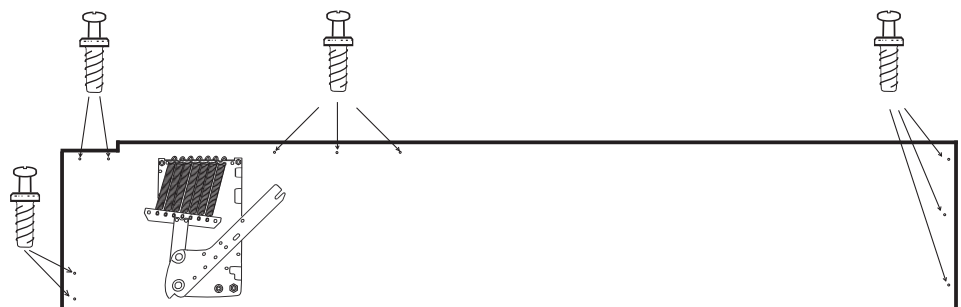


Turn the Head Board Shelf over and insert the Connecting Bolts into the Cam Fittings and tighten them with a Phillips screw driver.



Important!
Don't over-tighten Cam Fittings a 1/2 turn is sufficient.

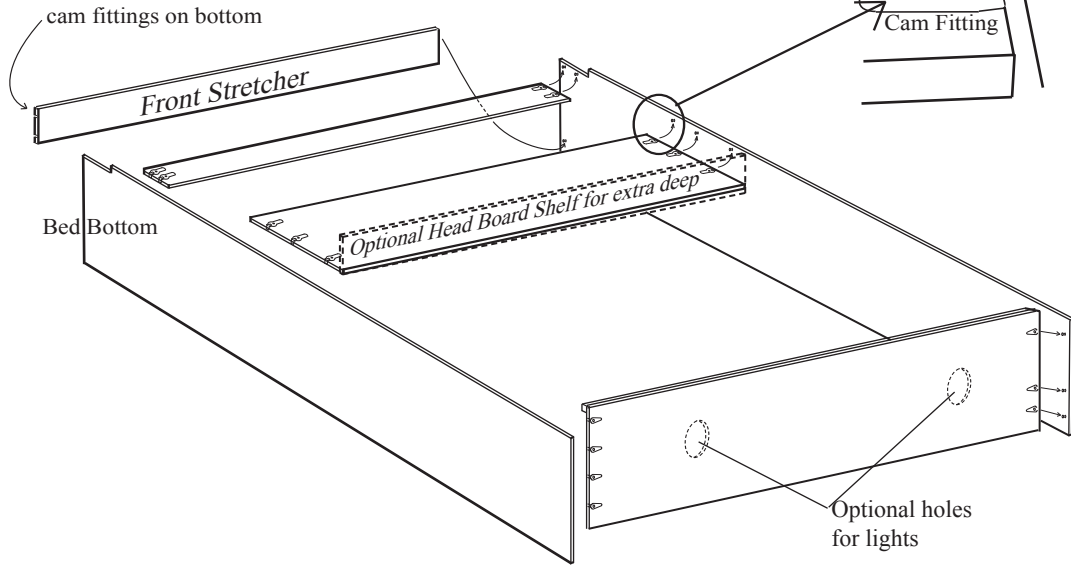
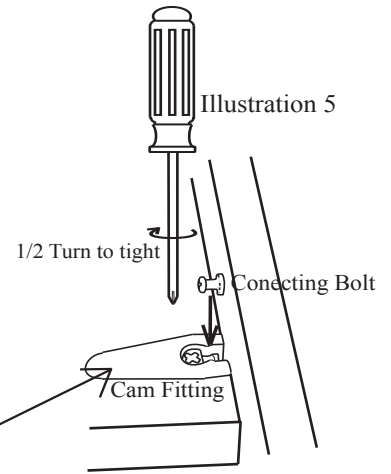
Step 6: Lay the right Side Board down as illustrated below and screw 10 Connecting Bolts into the holes provided as shown. Repeat the process with the left Side Board which will require 11 Connecting Bolts.



Step 7: Assemble the Bed Cabinet face down with the bottom of the bed nearer the wall to which it will be installed. Note the “Front Stretcher” (illustrated below) should be positioned so the Cam Fittings are at the bottom of the bed.

IMPORTANT! Tighten the cam fittings with a hand screw driver by turning the Phillips head clockwise 1/2 turn to tight.

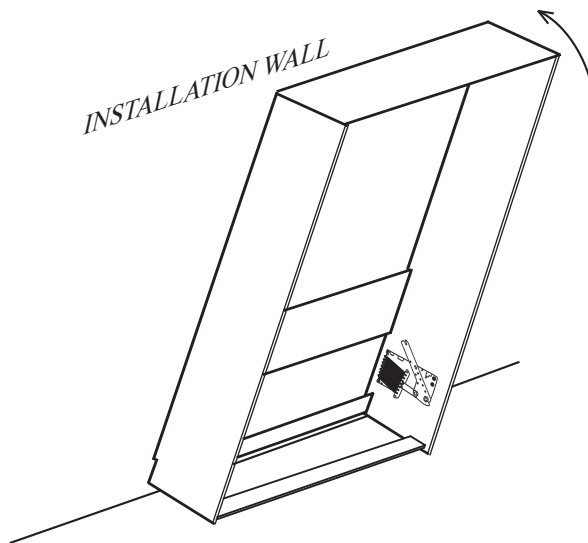
HELPFUL HINT: It is easier to tighten the Cam Fittings if the two bed parts are snug together.



IF YOU PURCHASED LIGHTS FOR YOUR WALLBED YOU MUST REFER TO THE LIGHT KIT INSTRUCTIONS AND INSTALL THE LIGHT KIT BEFORE MOVING ON.

(Light Kit instructions are in the Light Kit box)

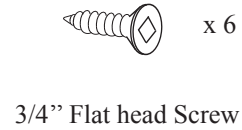
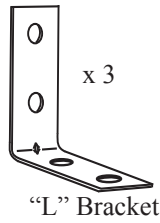
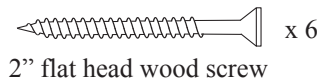
Step 8: Stand the bed cabinet up against the wall where you intend to have it installed.



WARNING! THE NEXT STEP MAY REQUIRE PROFESSIONAL HELP.

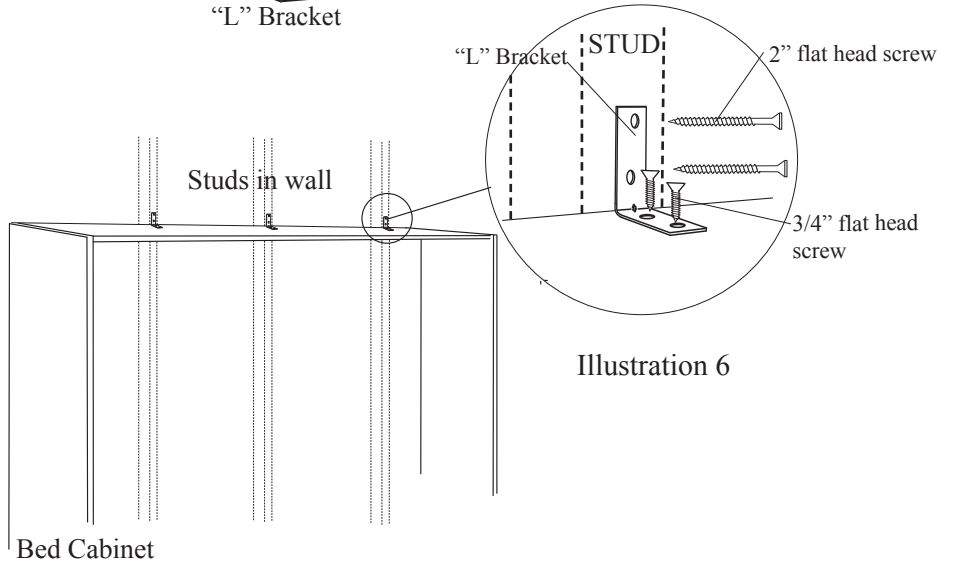
IF YOUR WALLS ARE NOT TRADITIONAL WOOD FRAMING, YOU MAY NEED TO HIRE A HANDY MAN OR CONTRACTOR TO HELP IN ANCHORING THE BED TO YOUR WALL. FAILURE TO PROPERLY ANCHOR CABINET COULD CAUSE SEVERE PERSONAL INJURY. CALL TECHNICAL SUPPORT AT 866-725-6401 IF YOU HAVE ANY QUESTIONS.

Hardware needed for next step from Bag #8



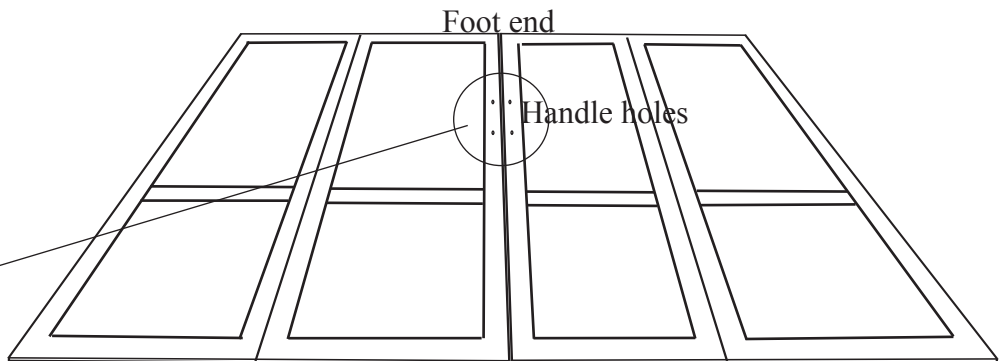
Step: 9: Using a Stud Finder locate and mark the studs in the wall behind the bed. Attach the "L" brackets to the top of the Bed Cabinet corresponding to where the studs are located. Now attach the "L" brackets to the studs in the wall. See illustration 6

IMPORTANT! King Queen and Full size beds require 3 studs, Twin size beds require 2 studs. It is VERY important that the bed be anchored securely to the wall. If bed is not anchored properly the bed can fall causing SERIOUS injury. For technical support call 866-877-7803 toll free.



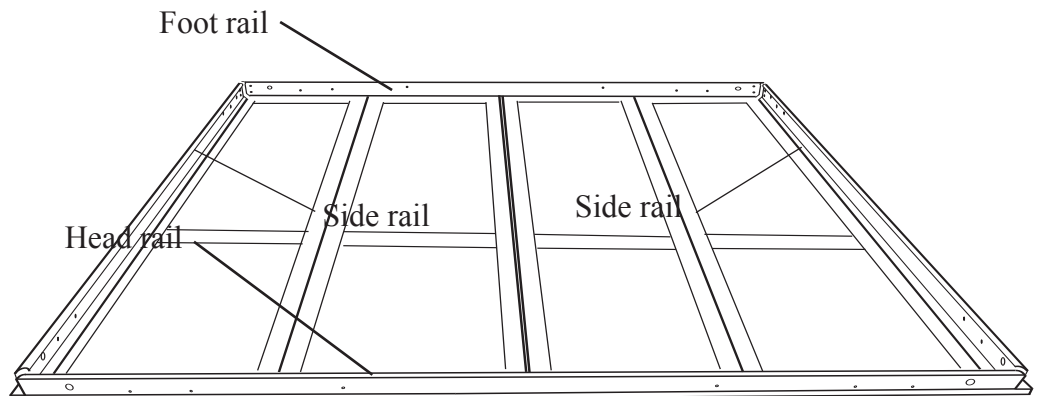
Step 10: Locate the Front Panel(s) and lay them on the floor face down (finished side). Position them in front of where the Bed Cabinet was installed and leave enough room to work around them.

Important note: place panels with handle holes in the middle so handle holes are next to each other and nearer the foot end as illustrated

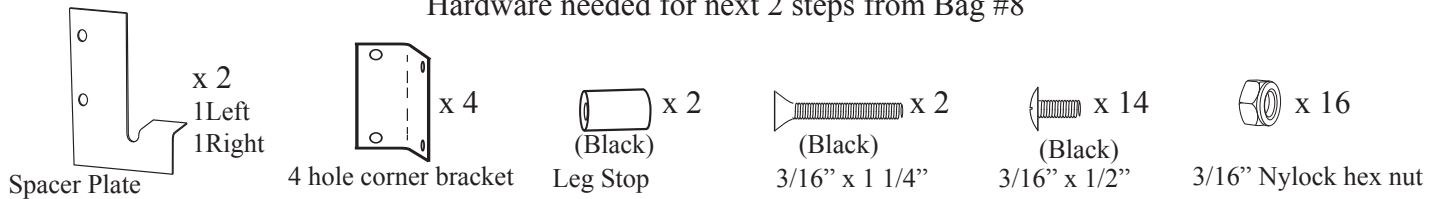


Step 11: Arrange the mattress rails on the face panels as shown.

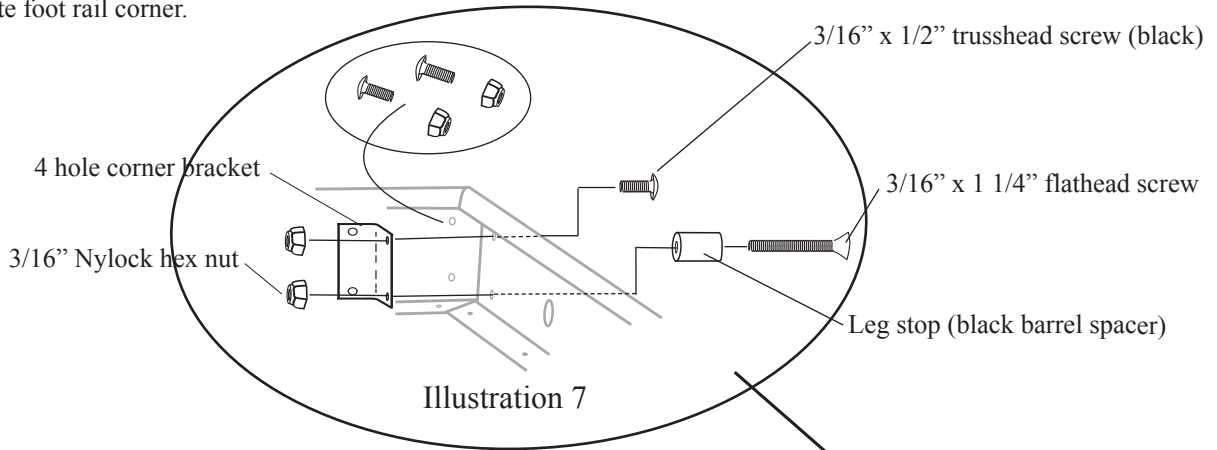
HELPFUL HINT: the "Head Rail" refers to the end that is closest to the Bed Cabinet while assembling and will be where your head is while sleeping.



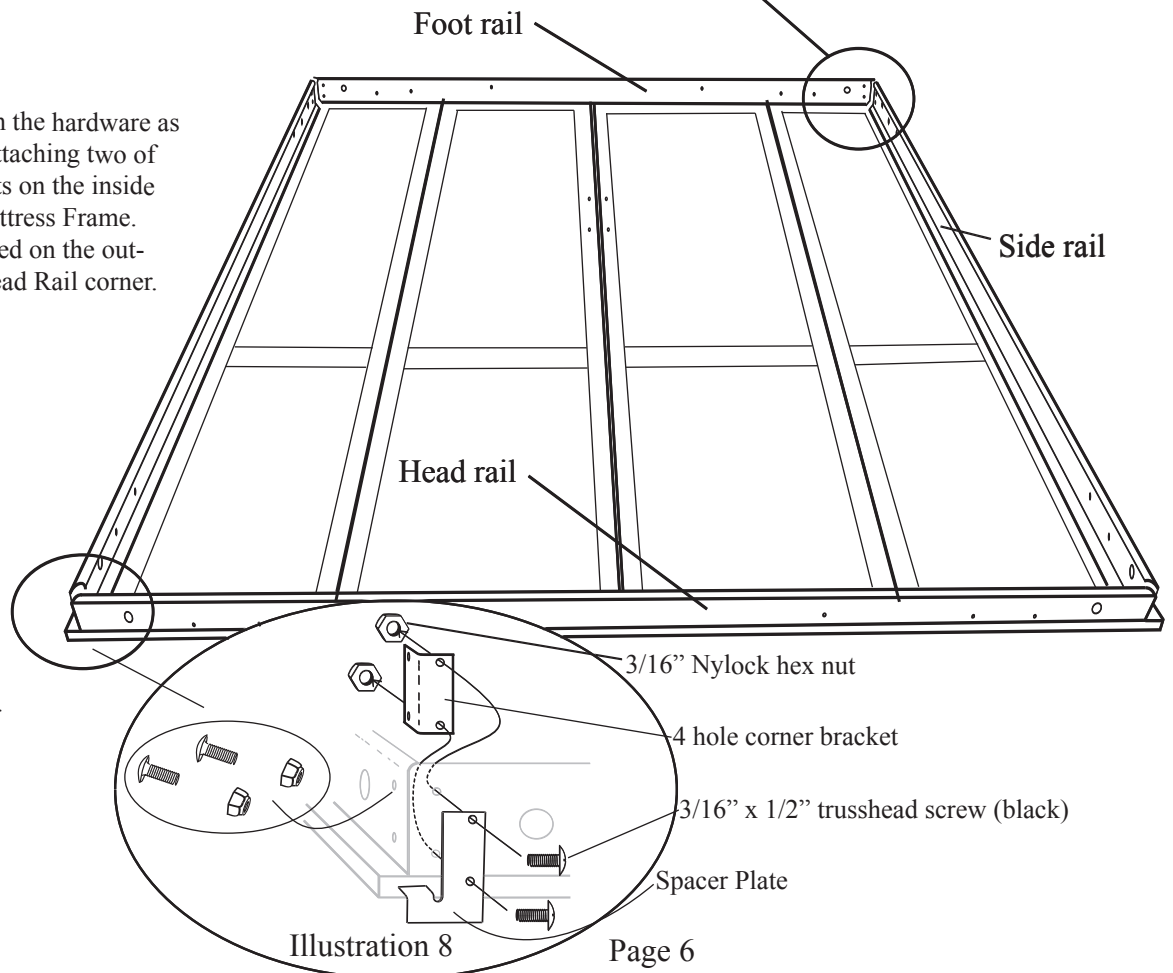
Hardware needed for next 2 steps from Bag #8



Step 12: From hardware bag 8 locate the hardware shown above. Finger tighten the hardware as shown in illustration 7 attaching two of the 4 hole corner brackets on the foot rail end of the mattress frame. Note the lower hole on each side rail uses the Leg Stop with the longer screw (3/16" x 1 1/4"). Repeat on the opposite foot rail corner.




Step 13: Finger tighten the hardware as shown in illustration 8 attaching two of the 4 hole corner brackets on the inside Head Rail end of the Mattress Frame. Note the spacer is attached on the outside. Repeat opposite Head Rail corner.



Step 14: Once all sides are finger tight go back to each corner and align the corners as they are tightened using either a 3/8" socket or wrench and a Phillips screw driver.

Hardware and parts needed for next steps from bag 8

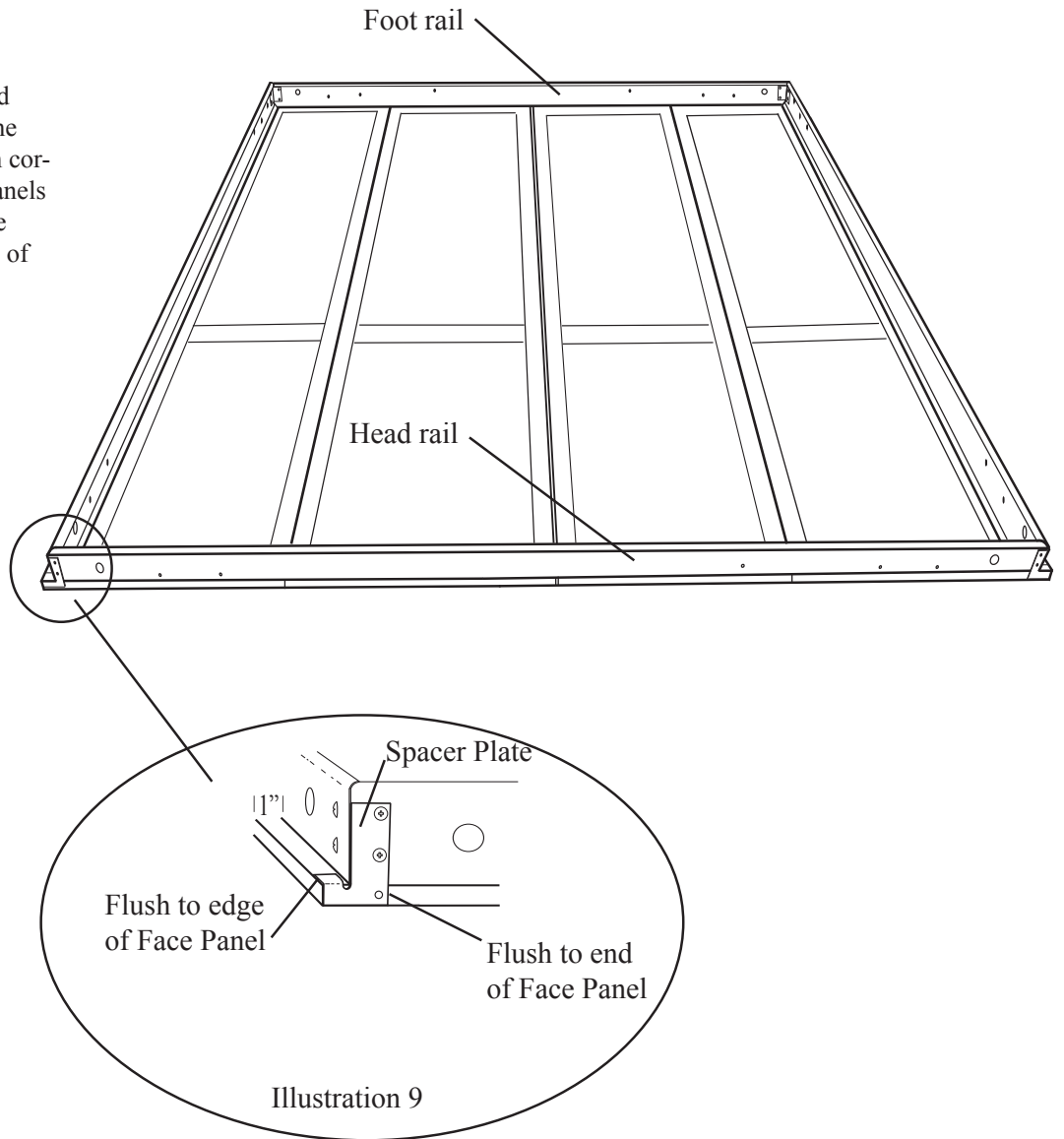
 x 95 approx.

3/4" Panhead screw
(hardware bag #8)

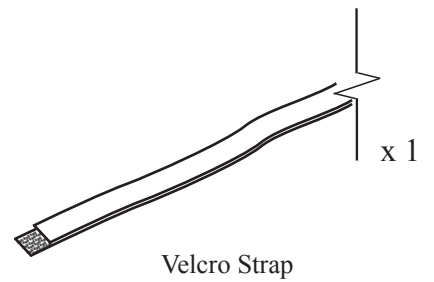
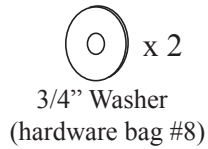
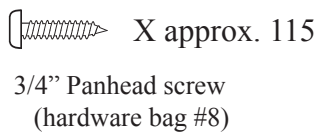
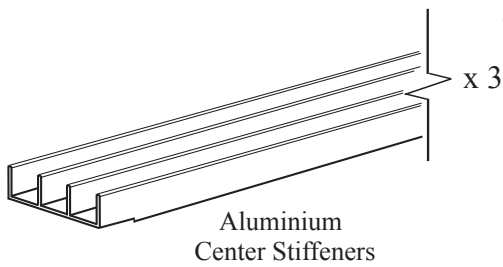
Step 15: Using the Spacer Plates as a reference at the head of the Bed Frame, align the Side Rails and the Face Panels. For proper alignment the Head Rail should be FLUSH with the head of the Face Panel and the Side Rails should have a 1" offset top to bottom on both sides. See illustration 9.

Step 16: Using the 3/4" pan head screws secure the Bed Frame to the Face Panels using 1 screw in each corner ensuring that the frame and panels are square to each other. Once the Frame is secure insert the balance of the screws around the Frame.

IMPORTANT! When attaching the Frames, we recommend that you power drive screws only part way and then tighten by hand.
DO NOT STRIP SCREWS.

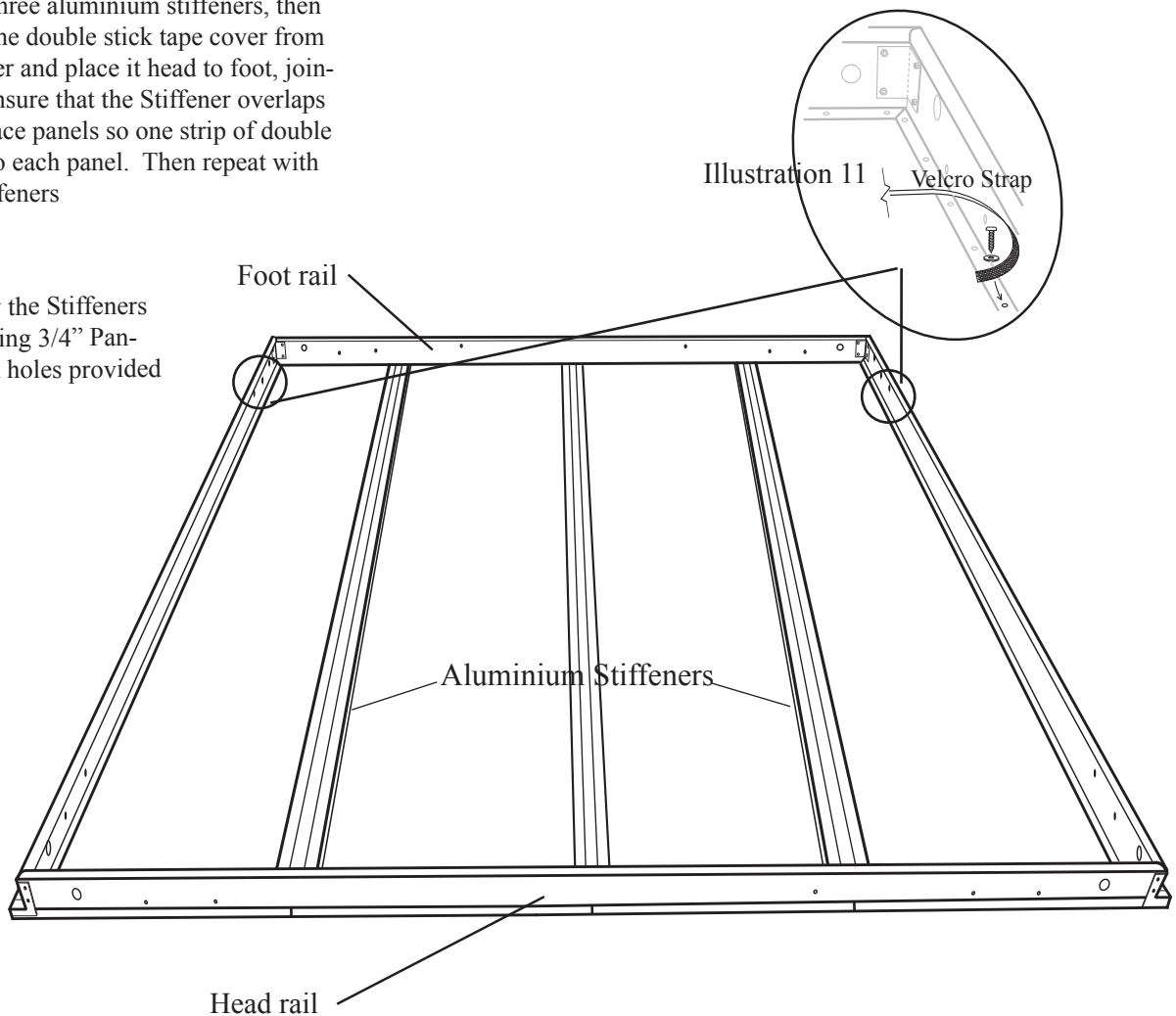


Hardware and parts needed for next steps



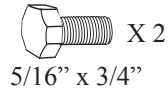
Step 17: Locate the three aluminium stiffeners, then one at a time remove the double stick tape cover from the back of the Stiffener and place it head to foot, joining two Bed Panels. Insure that the Stiffener overlaps equally onto the two face panels so one strip of double stick tape is attached to each panel. Then repeat with the two remaining Stiffeners

Step 17-A: Screw the Stiffeners to the face panels using 3/4" Pan-head screws through holes provided

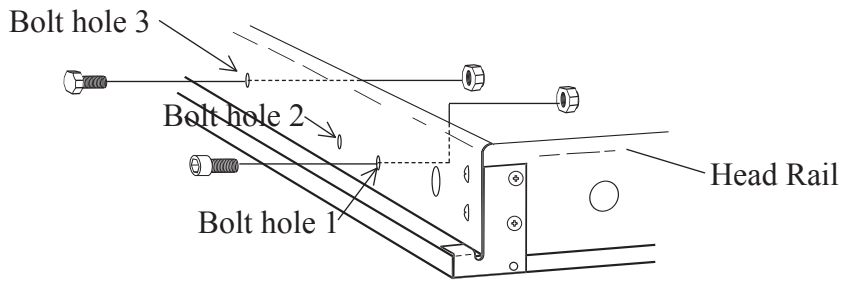


Step 17-B: Attach the Velcro Straps (for holding the mattress in place) by removing one screw from each side rail about 18" from the foot of the face panel. Put the Velcro hooks part of the strap on one side of the bed and the loops part of the strap on the other side. Use the 3/4" washer to hold the strap in place then replace the screw. Insure that the hooks and loops will face each other and interlock. See Illustration 11

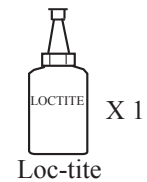
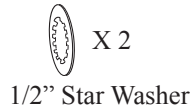
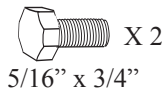
Hardware needed for next step from hardware bag #7



Step 18: As illustrated below, insert the Allen Key Bolt through bolt hole # 1 and tighten it down securely using a Nylock Nut. Now insert a 5/16" x 3/4" Hex head bolt through hole # 3 and thread the Nylock nut ONLY UNTIL IT IS FLUSH WITH THE BOLT END. Bolt hole #2 will be used in a later step.

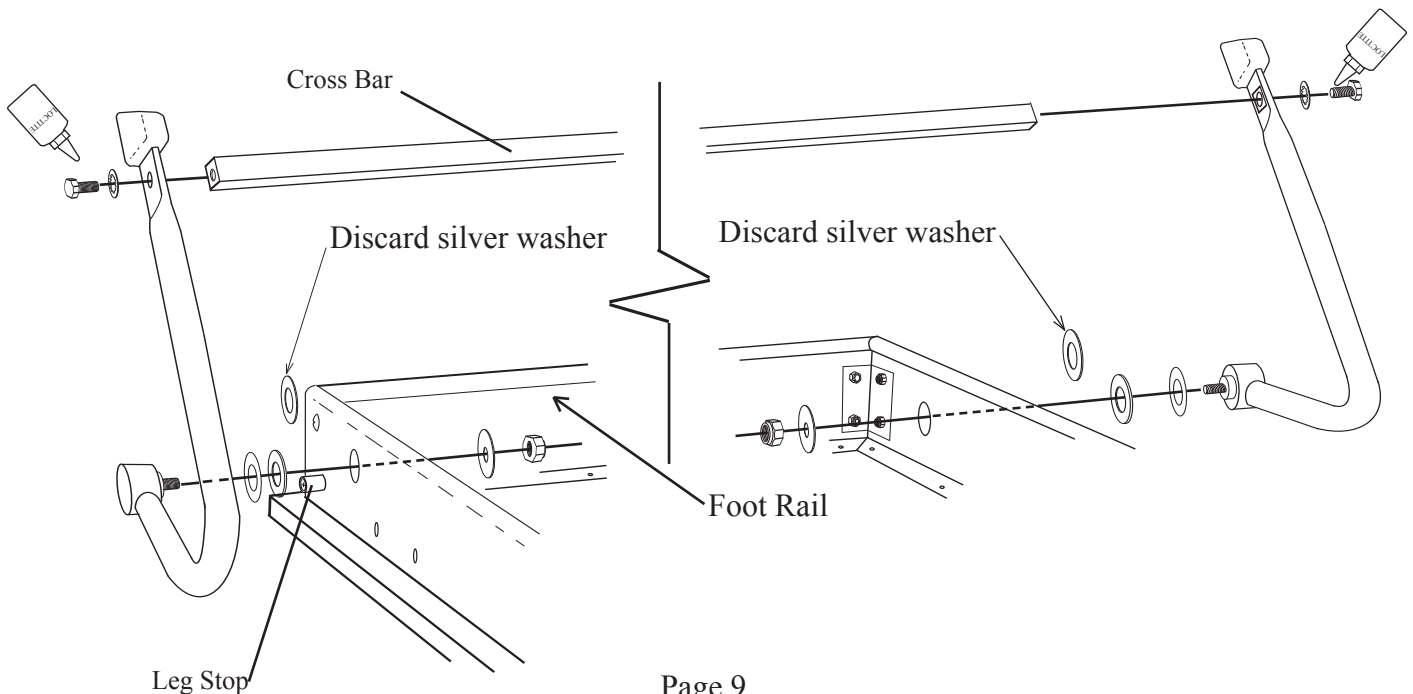


Hardware needed for next step from hardware bag #8



Step 19: Assemble Legs by first removing the nut and the first TWO washers that come pre-installed on the Leg. Leave the washer with a black edge and the thin plastic washer in place on the leg. Insert the Leg Bolt with the first two washers through the Side Rail. DISCARD the thick silver washer then place the black washer and the nut back on the Leg Bolt and tighten.

Step 20: Position the Cross Bar between the Legs. Place 1/2" Star washer on one of the 5/16 X 3/4" Hex Head bolts apply 2 drops of Loc-tite and thread the bolt through the Leg and into the Cross Bar and tighten. Repeat on other side.



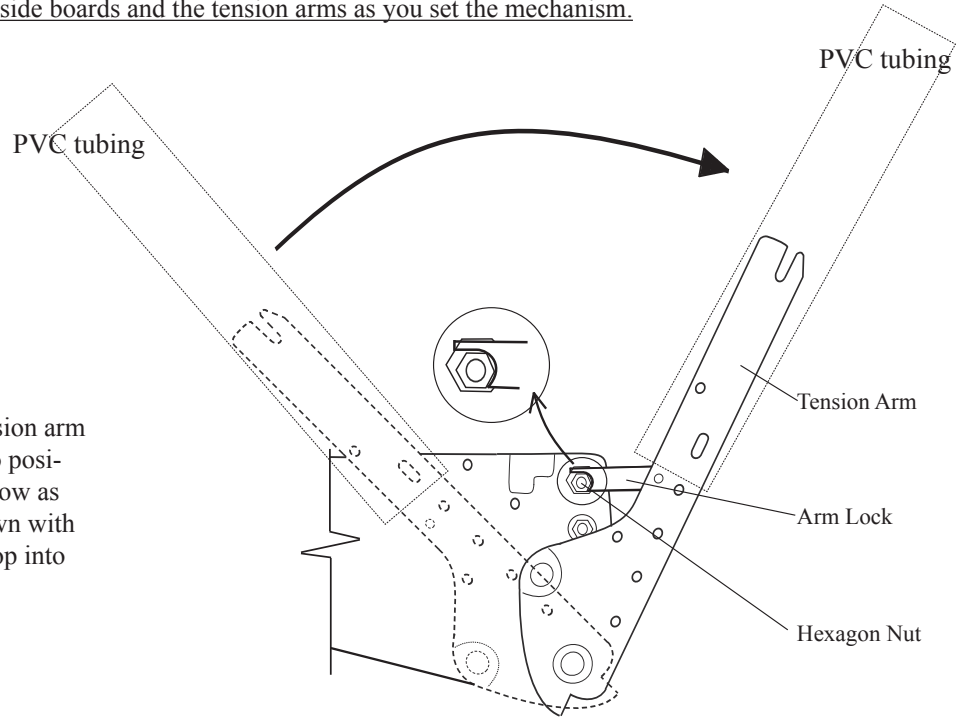


IF YOU PURCHASED LIGHTS FOR YOUR WALLBED YOU MUST RETURN TO THE LIGHT KIT INSTRUCTIONS STEP 6 AND INSTALL THE SAFETY CUT OFF DEVICE BEFORE MOVING ON.

WARNING: There is tremendous force involved in the next step. do not place hands between the front of the side boards and the tension arms as you set the mechanism.

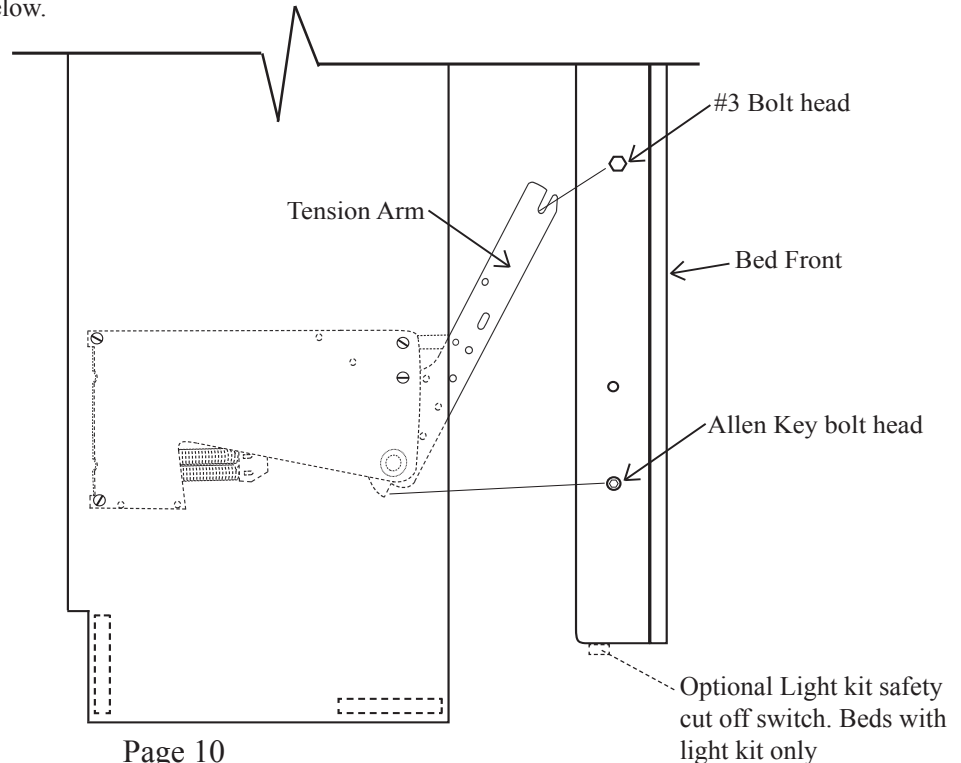
Step 21: Brace one foot against the front edge of the side board and using the 13” length of PVC tubing provided, lever the lift mechanism tension arm out and down until you can secure the arm lock to the hexagon nut shown at right. BE SURE THAT THE LOCK IS SECURED AGAINST THE HEX NUT BEFORE RELEASING THE TENSION ON THE LIFT MECHANISM.

Helpful hint: As you start to draw the tension arm down with one hand, use the other hand to position the arm lock on top of the hex nut. Now as the tension arm continues to be pulled down with both hands, the arm lock will naturally drop into place around the hex nut as illustrated.

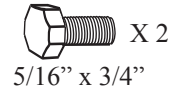


IMPORTANT! As instructed in step 18, Bolt #3 should be loose enough to slip into the notch at the end of the Tension Arm See illustration below.

Step 22: Stand the Bed face unit up on its Head Rail end. Now with you and your assistant on either side of the Bed face unit lift until the # 3 bolt on the Bed face unit is a few inches above the slotted end of the Tension Arms on both sides. Gently lower the Bed face unit between the Tension Arms and seat the # 3 bolt into the slot at the end of the Tension Arms. Now start pulling the bed face unit down and away from the Bed Cabinet the Allen Key bolt head will seat into the notch at the lower end of the Tension Arms. Lower the bed unit down and pull the Legs down so that they are on the floor. Someone will need to hold the bed unit down as it will want to rise.



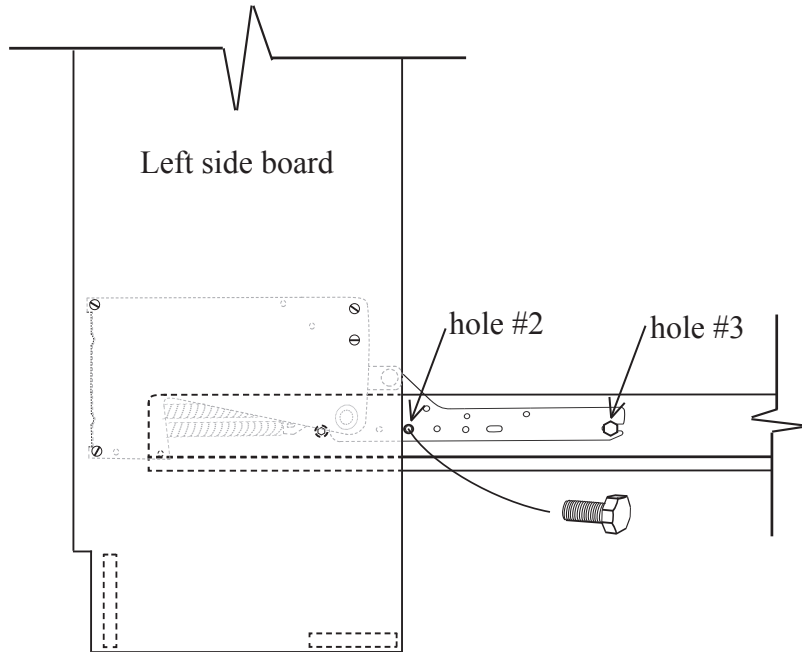
Hardware needed for next step from hardware bag #7



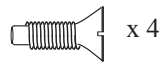
Step 23: Insert a 5/16" X 3/4" Hex bolt through hole #2 and tighten a 5/16" Nylock nut onto the bolt. Now tighten the nut and bolt in hole #3.

Repeat step 23 on the other side of the bed unit.

WARNING! Failure to insert and tighten all the bolts in step 23 could result in **severe personal injury** or damage to the lift mechanism. Lift mechanism damage caused by missing or loose hardware is not covered by warranty.



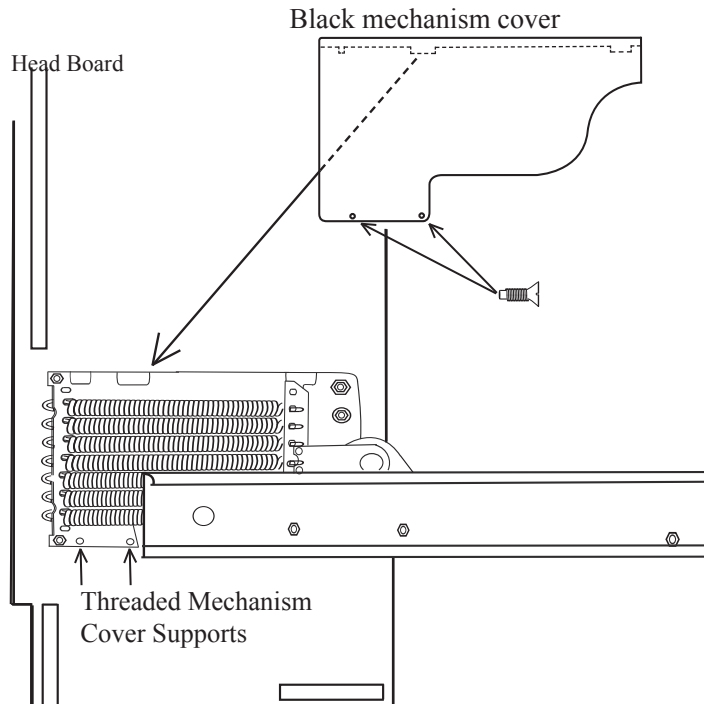
Hardware needed for next step from hardware bag #7



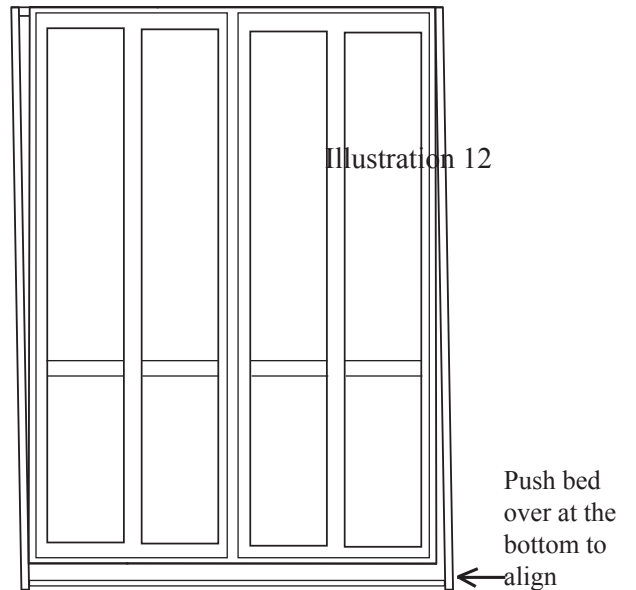
4mm x 1/4" Flathead Slot Machine screw

Step 24: Slip the Mechanism Cover over the Mechanism so that the tabs on the cover fit into the notches provided. Line up the holes with the threaded supports and insert two 4mm Flathead screws.

Repeat step 24 on the other Mechanism.

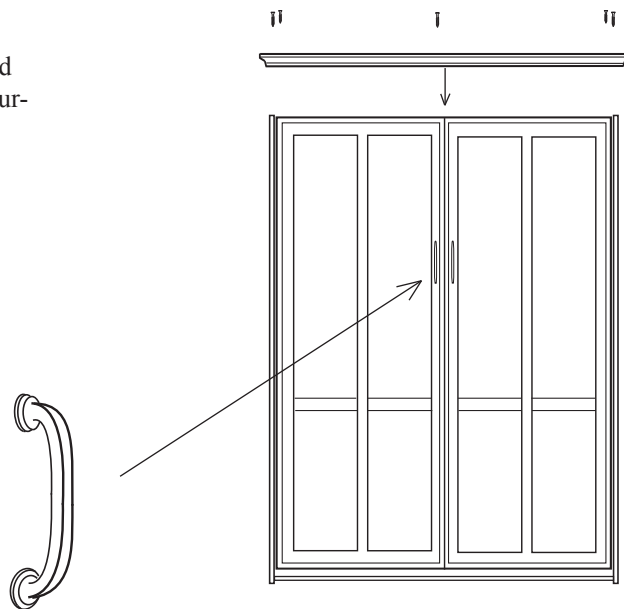


Step 25: When the bed is closed check to see if the gap on either side is the same. If it looks right skip this step. If the gap is not right, meaning that the Bed Box is too close to the side board or even touching it at the top on one side it will need to be adjusted. The procedure will require the bottom of the bed to be moved slightly to the left or right depending on which top corner is too close. If the bed is too close on the top right side for instance, the right side (bottom) will need to be slid to the left slightly (See illustration 12). Have one person push the bed at the bottom with his feet while the second person pulls at the opposite bottom side.



Step 26: Place the crown mold on the bed as illustrated and use the 1 1/4" screws to secure it in place. If you purchased side cabinets apply crown mold to them as well.

Note: Dakota style bed does not have crown molding



Step 27: Place handles on bed using pre-drilled holes in face panels.

Step 28: Anchor the Side Cabinet to the Bed by first pre-drilling three 3/16" holes at the inside edge of the side cabinet. Position the holes close to the front edge of the Side Cabinet. One hole should be near the top, one should be inside the drawer area (remove drawer from cabinet to get to this one), and the third should be at the bottom (open door if your cabinet has door, or remove drawer at bottom) for this hole. Now move the side cabinets next to the bed and use three 1 1/4" Gold Screws (located in a drawer or on a shelf of the side cabinet) through pre-drilled holes to anchor Side Cabinets to the Bed.

