

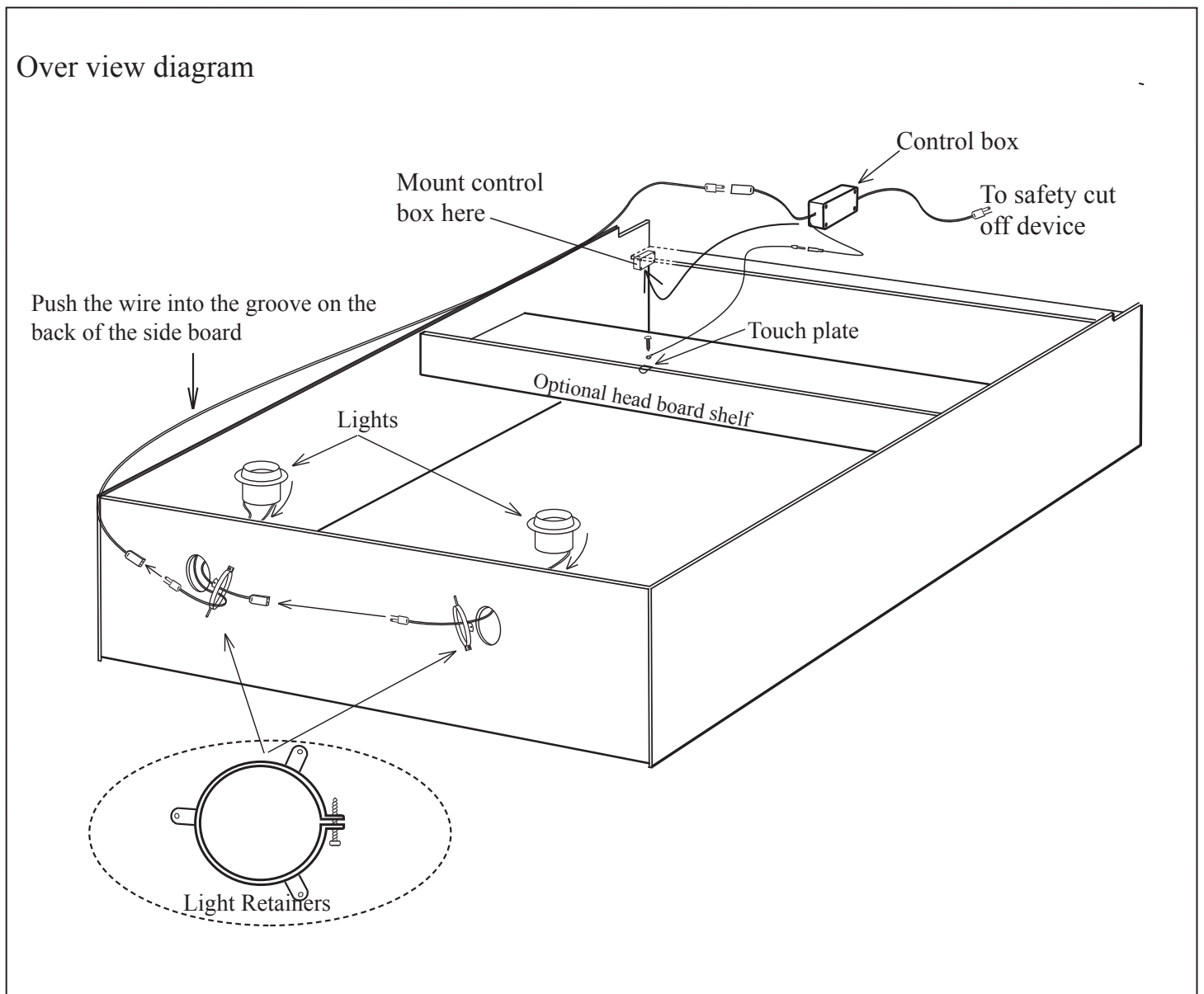
Wilding Wallbeds

Light kit installation instructions

All illustrations are shown with the bed cabinet and the bed face laying down flat on the floor

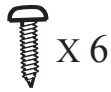
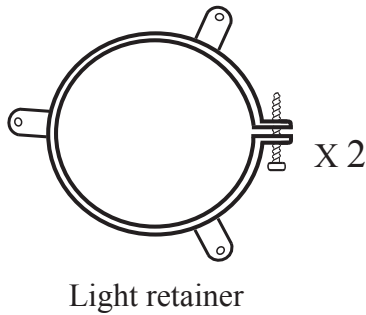
These instructions are for Wallbed models:

Dakota
Remington
Newport
Mission
Sierra

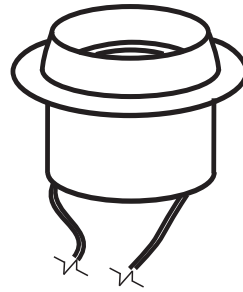


Tilt away light kit
rev. 8/10

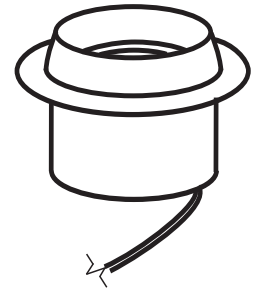
Items need for next steps



5/8" Screw X 6

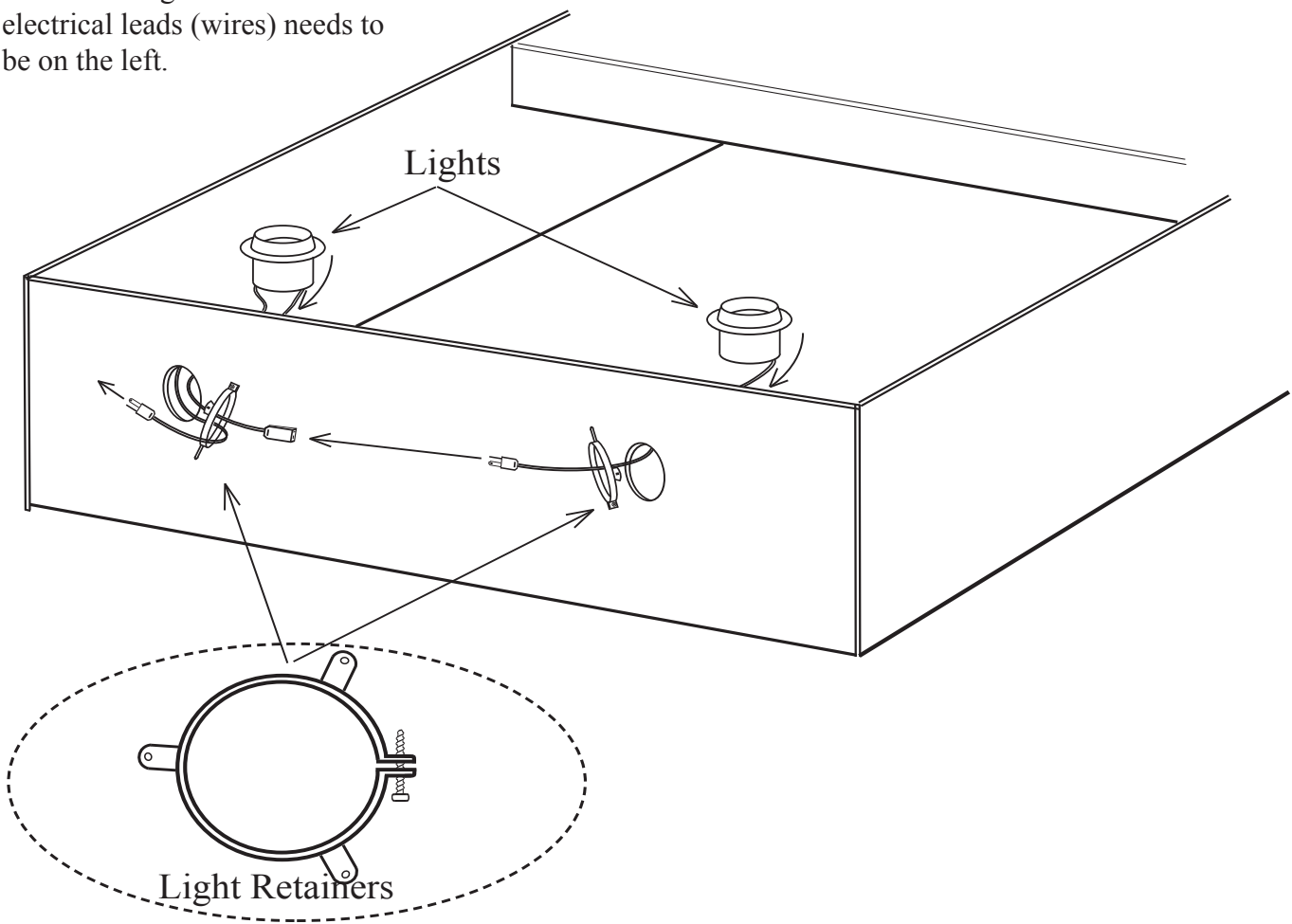


Left double lead light



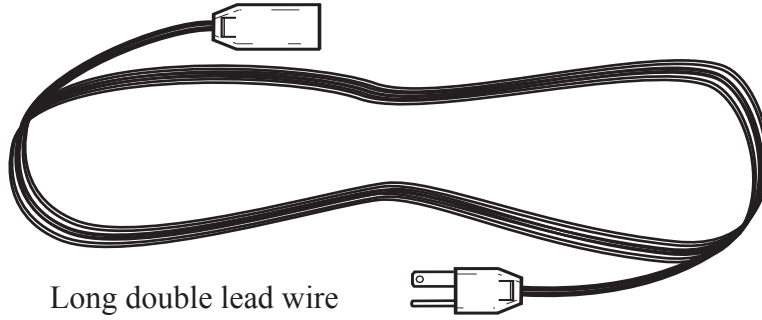
Right single lead light

Step 1: Put the lights through the holes in the Bridge Board.
NOTE: the light with the two electrical leads (wires) needs to be on the left.



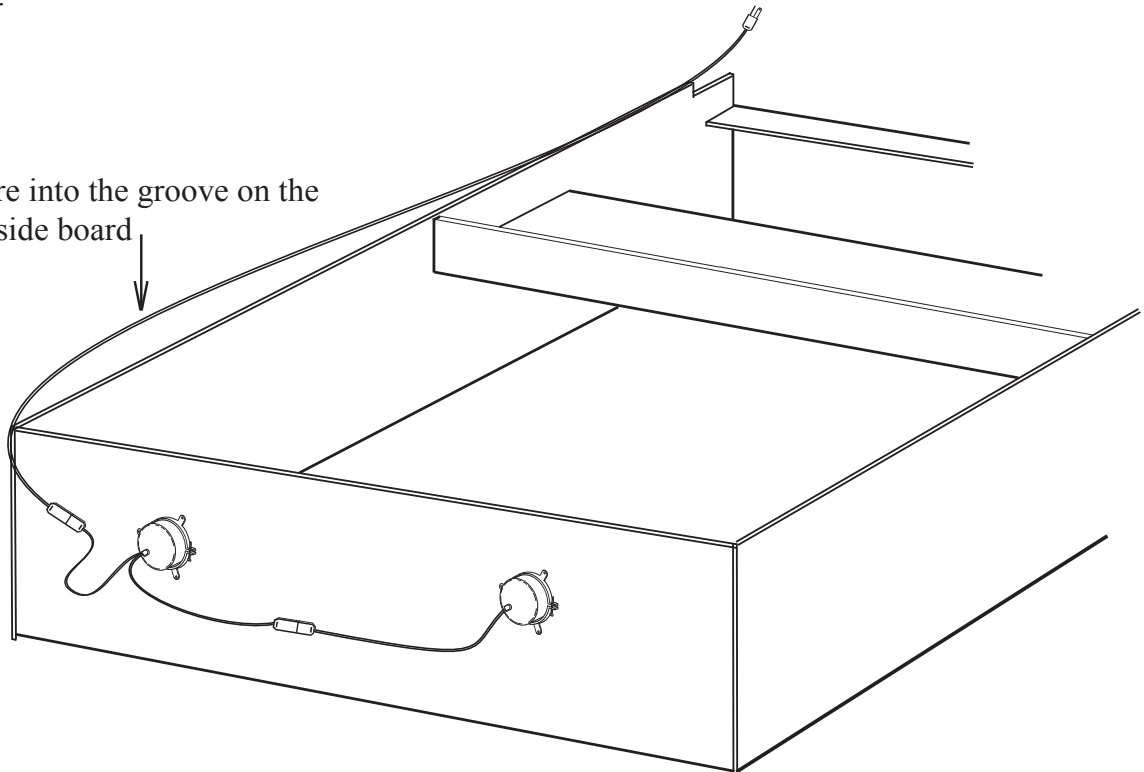
Step 2: Slide the black retainers over the lights so that the retainer is pushed down on the top of the bridge board. Make sure the lights are pushed up tight to the finished side of the bridge board. Now tighten the black screw on the side of the retainer so it holds the light. **DO NOT OVER TIGHTEN.** Fasten the retainers to the Bridge Board using six 5/8" pan head screws. Plug the lights together so the male lead on the single lead light is plugged into the female lead of the double lead light.

Item need for next steps

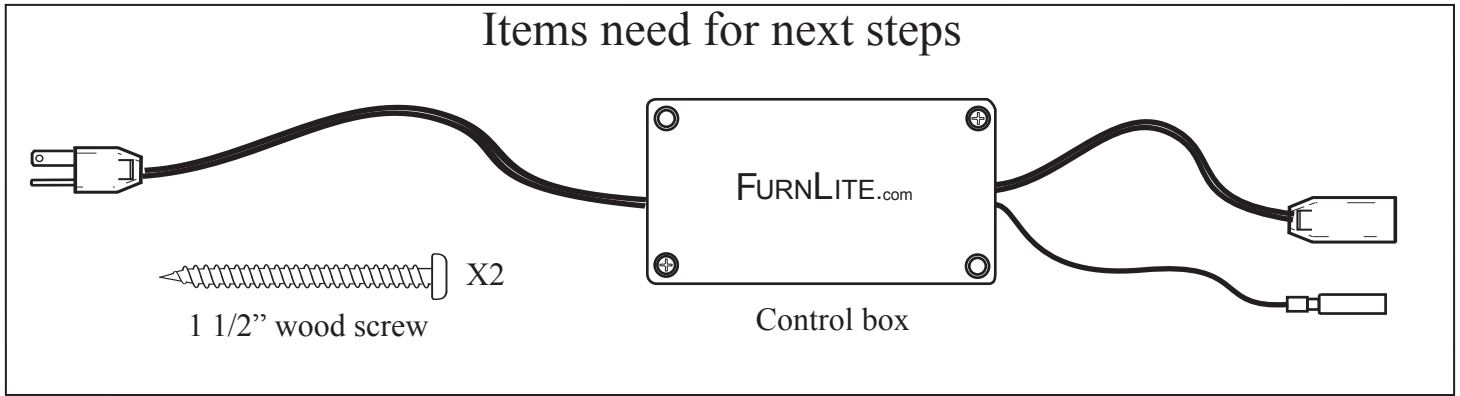


Step: 3 Run the long double lead wire from the Lights down the left Side Board by inserting it into the groove in the back of the left Side Board.

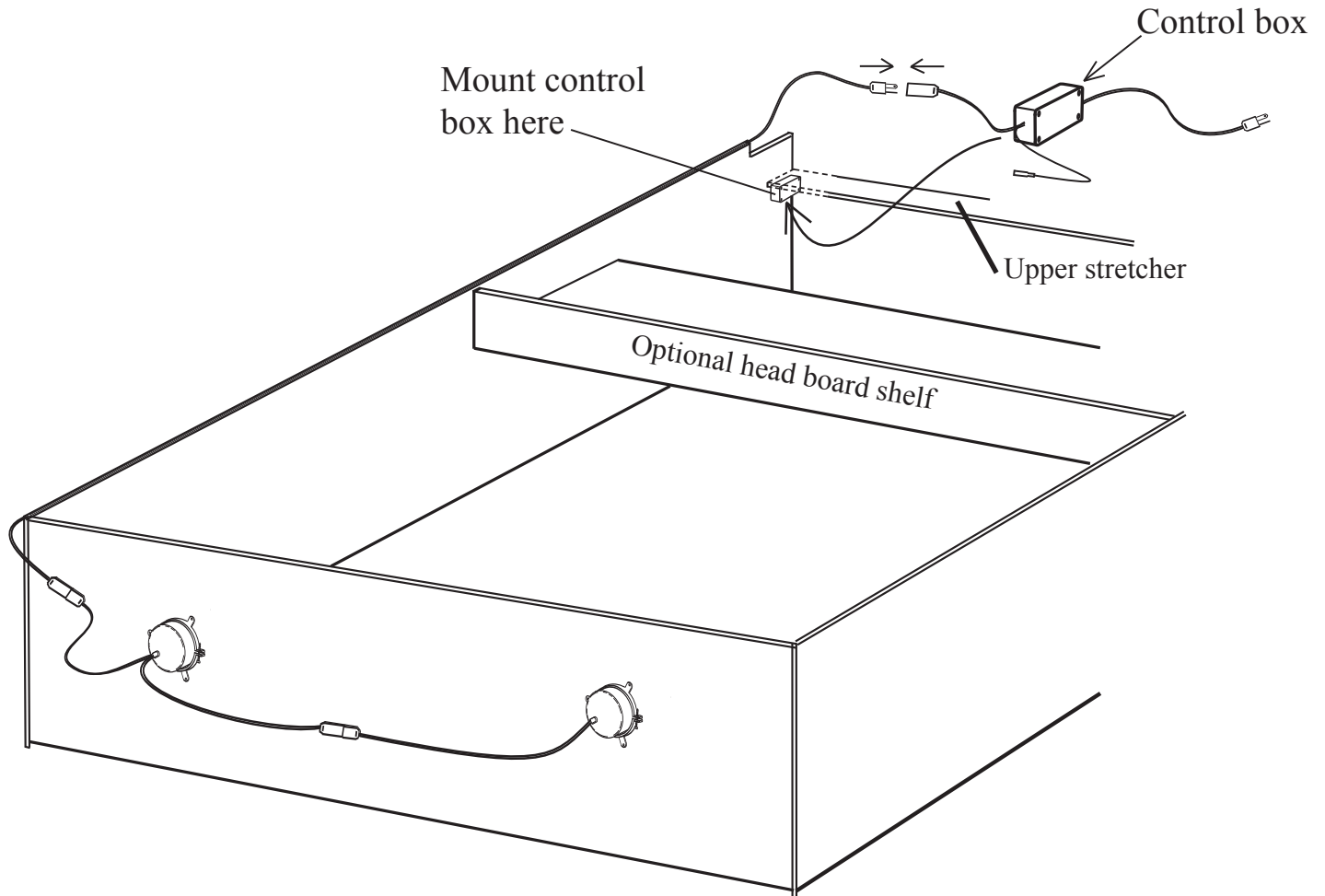
Push the wire into the groove on the back of the side board



Items need for next steps

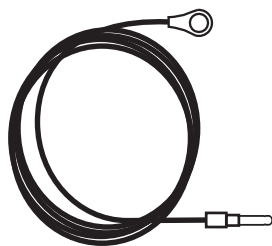
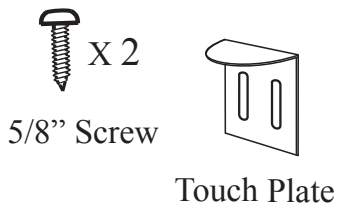


Step: 4 Mount the control box UNDER the upper stretcher at the bottom of the Left Side Board using two 1 1/2" screws as illustrated below. It is **VERY IMPORTANT** that the control box be mounted as illustrated or **THE BED WILL NOT CLEAR THE BOX AS IT IS OPENED**.



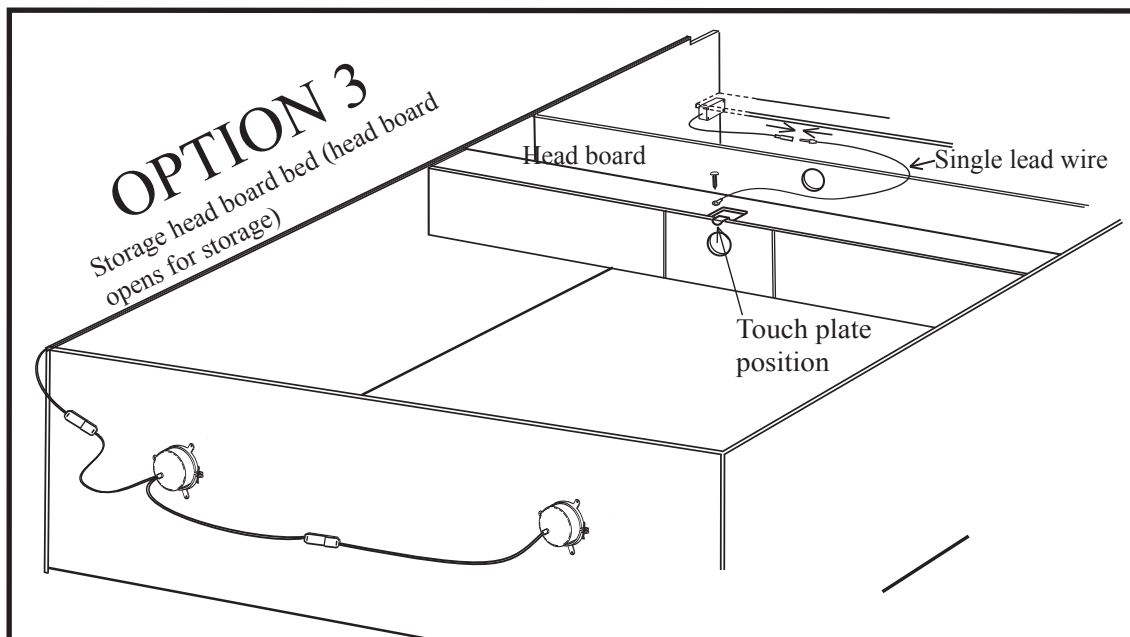
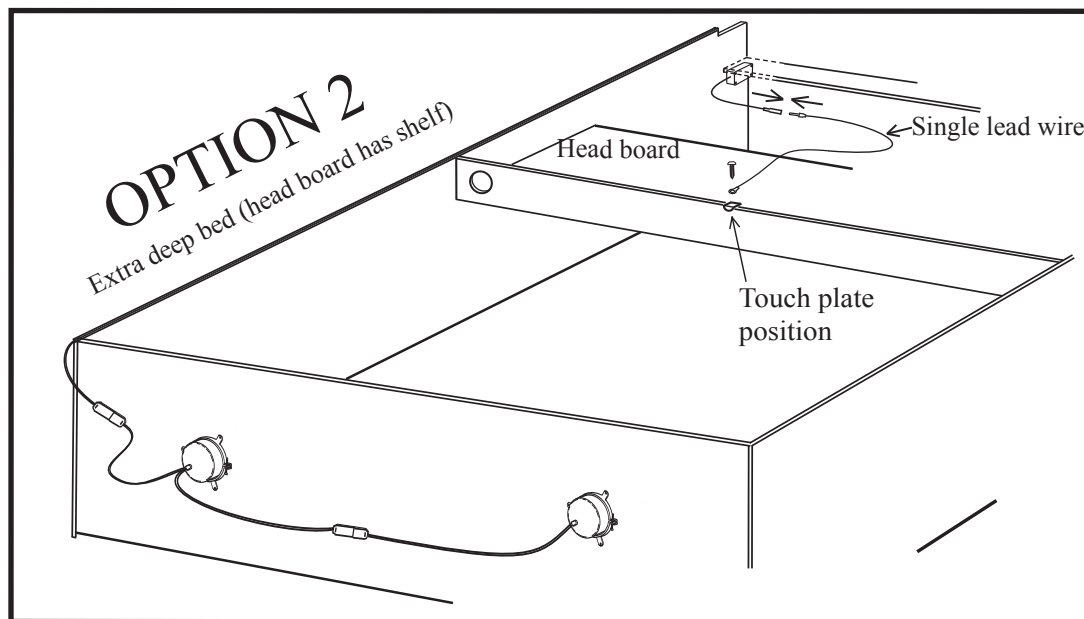
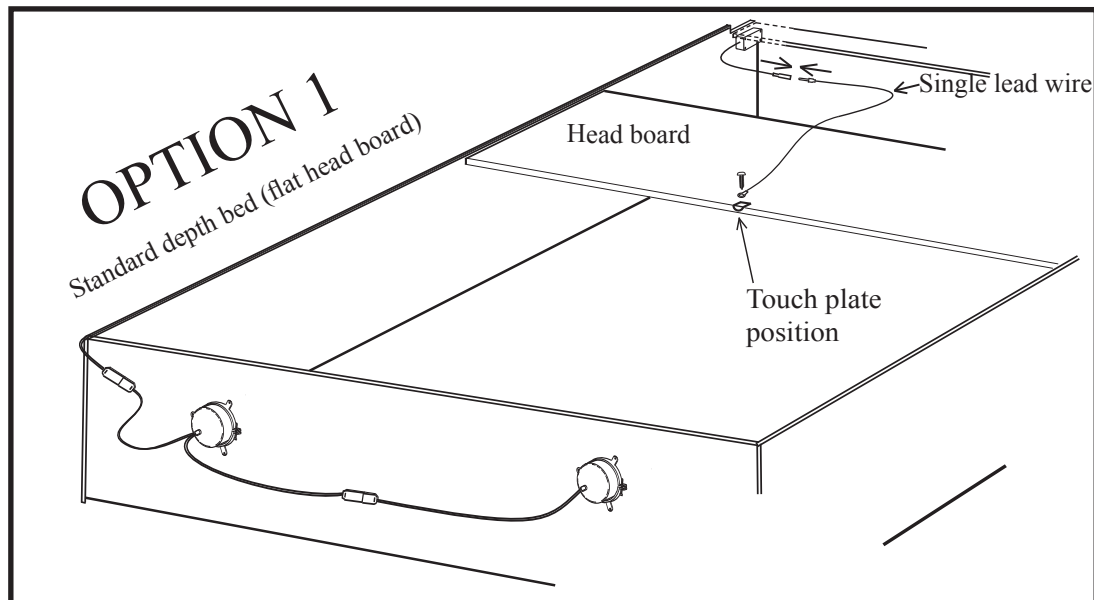
Wilding Wallbeds offers 3 depth options on their Wallbeds. Determine which bed you purchased.

Items need for next step



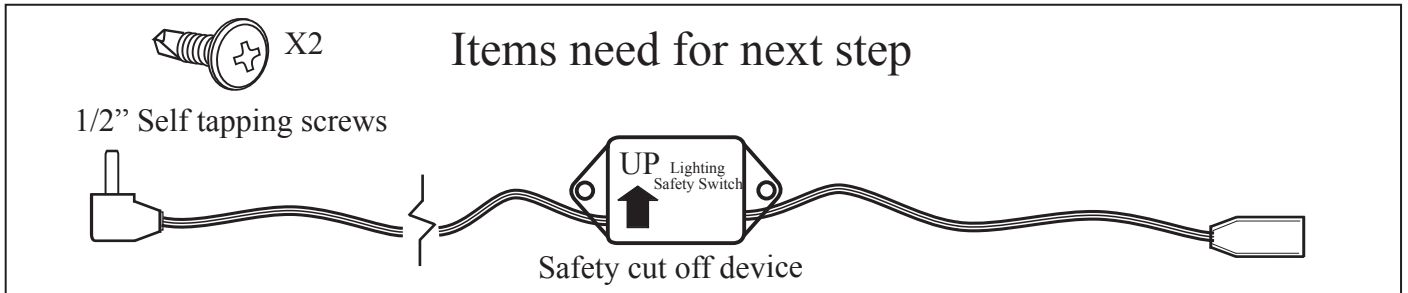
Step 5: Plug the single lead wire into the single lead from the control box. Next, at the center point of the head board use two 5/8" panhead screws to attach touch plate to the back of the head board with one screw first going through the eye hole of the single lead wire. Insure the rounded side of the touch plate rests on the top edge of the head board. See illustration.

Helpful hint: The touch plate has a thin protective plastic cover that needs to be removed.

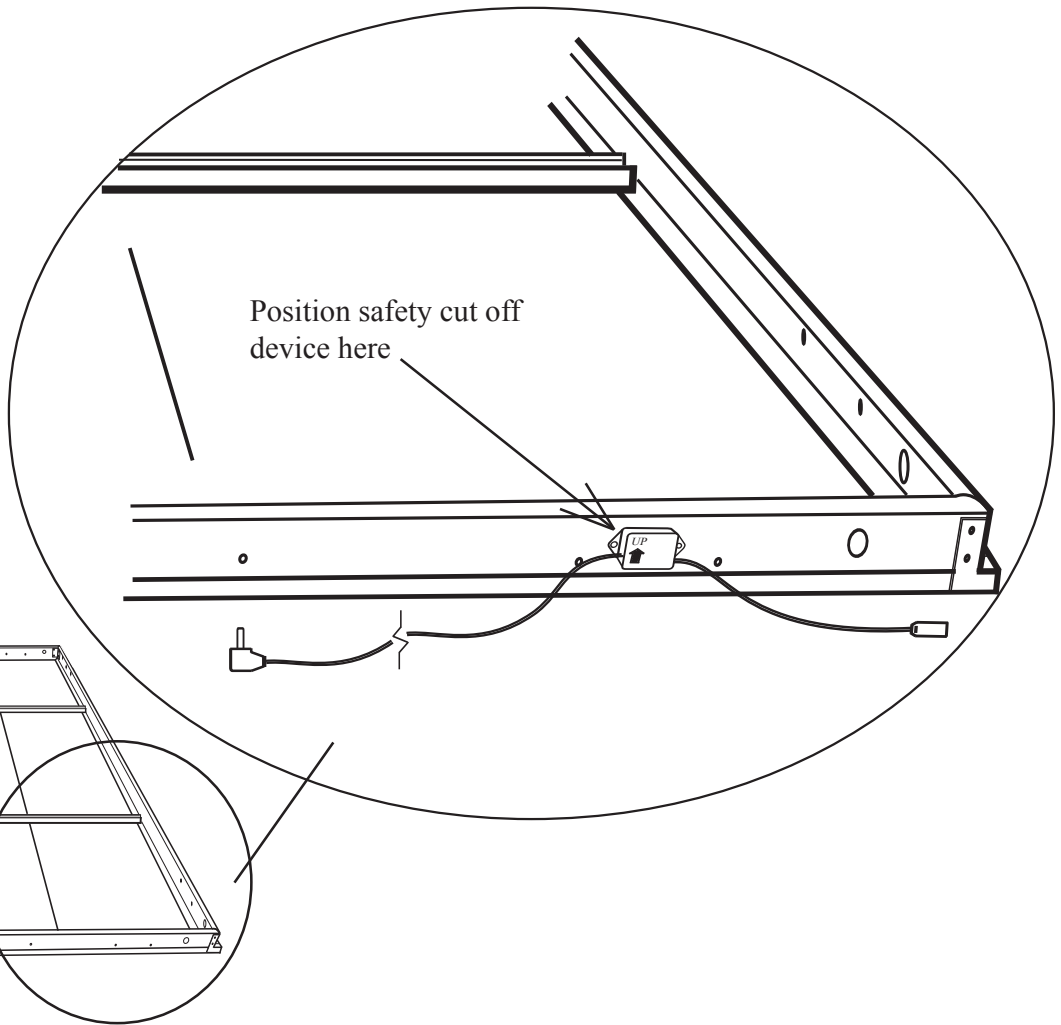
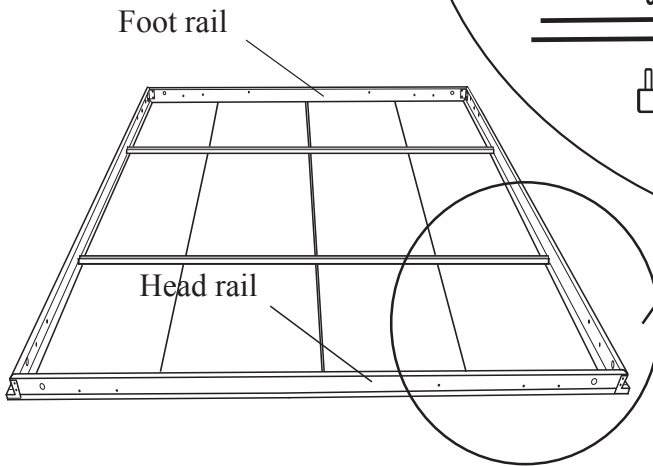




Return to **STEP 8** in the installation instructions prior to continuing with light kit installation.



Step 6: Attach the safety cut off device to the head rail using two 1/2" self tapping screws. **THE ARROW ON THE DEVICE MUST BE POINTING UP.** See illustration.



WARNING! IT IS VERY IMPORTANT THAT YOU TEST THE SAFETY CUT OFF DEVICE. ONCE THE BED IS INSTALLED OPEN THE BED AND TURN THE LIGHTS ON BY TOUCHING THE BRASS TOUCH PLATE ON TOP OF THE HEADBOARD. ONCE THE LIGHTS ARE ON, CLOSE THE BED AND VERIFY THAT THE LIGHTS GO OFF AS THE BED CLOSSES. IF THE LIGHTS DO NOT OPERATE PROPERLY, UNPLUG THE LIGHTS AND CALL 1-866-877-7803 FOR TECHNICAL HELP.

Return to STEP 21 in the installation instructions to finish installing of your wall bed.