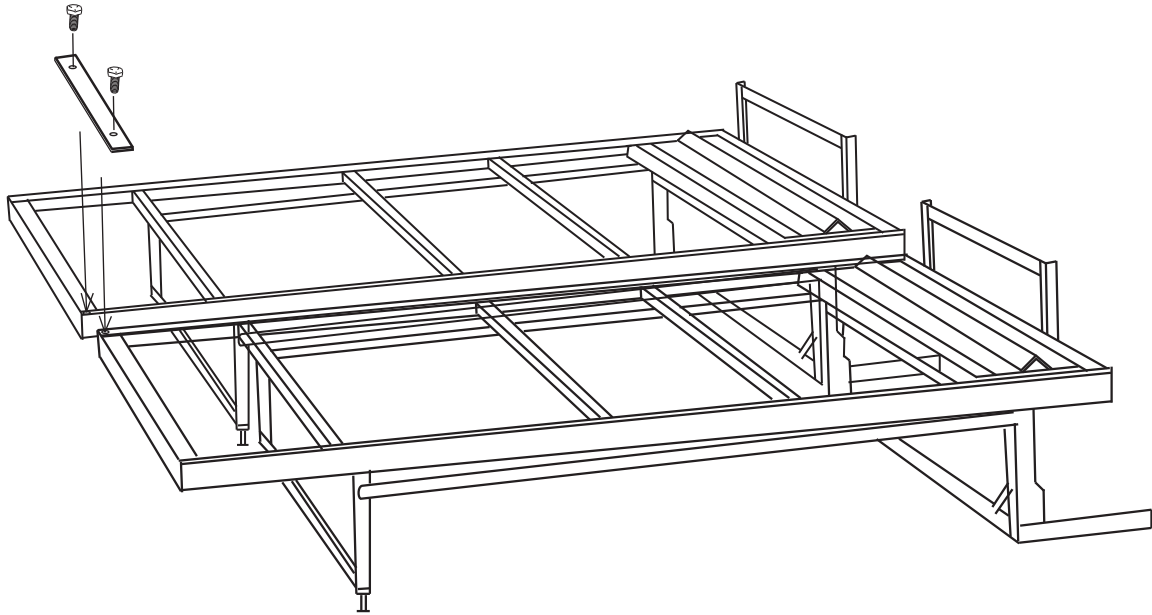
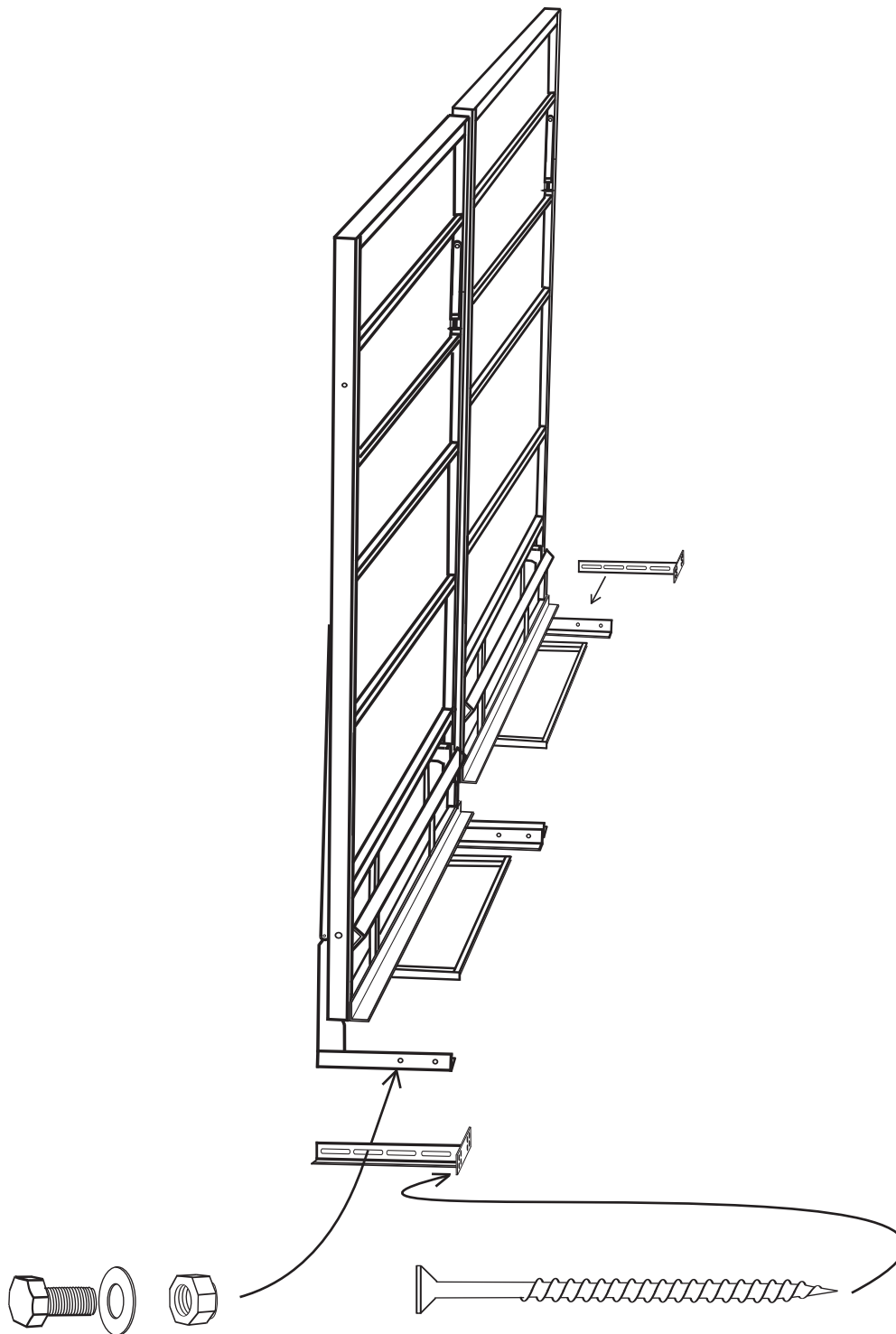


Connect two twin size Murphy frames to create a King size frame by attaching the frames together at the foot end of the twin frames. Use the flat iron piece provided and the nuts and bolts at the corner of the frames to connect the two frames as illustrated.



# WALL BRACKET INSTALLATION



1. Use Bolt, Washer, and Nut to attach Wall Bracket to the Murphy bed frame at desired position.

2. Use 3" Wood screws to attach Murphy bed frame to the wall