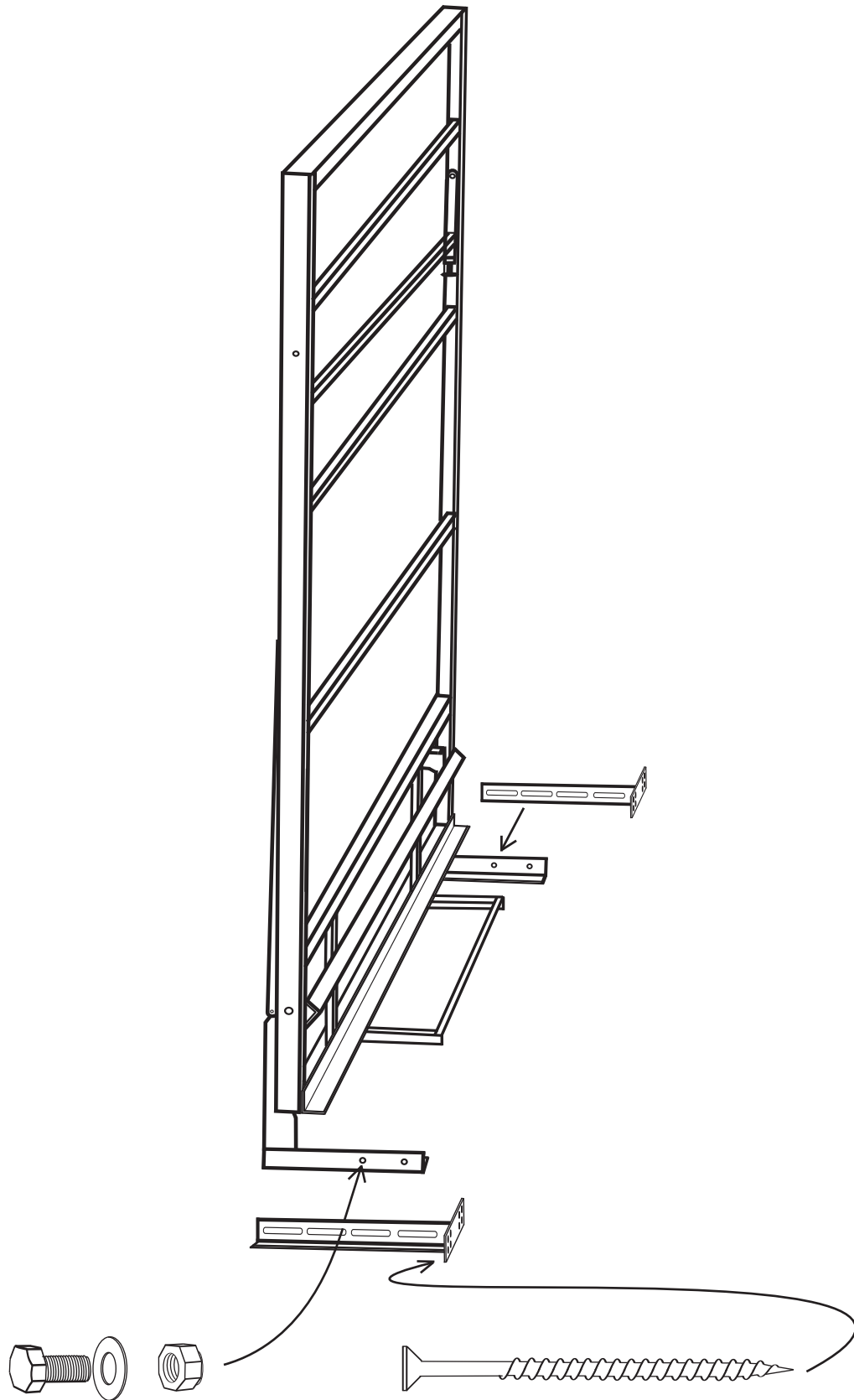


WALL BRACKET INSTRUCTIONS



1. Use Bolt, Washer, and Nut to attach Wall Bracket to the Murphy bed frame at desired position.

2. Use 3" Wood screws to attach Murphy bed frame to the wall